

ACCESSORIES (BOARD)

Charge Board:

BC-100



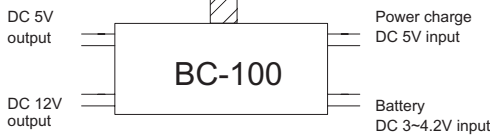
Specification

	Voltage	Stand by current (open load)	Output current	Power charge current
Power charge	DC 5V Input	/	/	~750mA(max)
Li-Battery	DC 3.7V Input	20mA	220mA for DC 5V 140mA for DC 12V (TWO OUTPUT)	/
			140mA for DC 12V 450mA for DC 5V (SINGLE OUTPUT)	

Function

- LED ON RED LIGHTING FOR POWER CHARGE.
- LED ON GREEN LIGHTING FOR BATTERY FULL INDICATE.
- IDEA FOR LI-BATTERY 3.7V UP TO DC 12V & 5V FOR SECURITY DEVICE APPLICATION.

Switch for Battery input or charge



BC-200

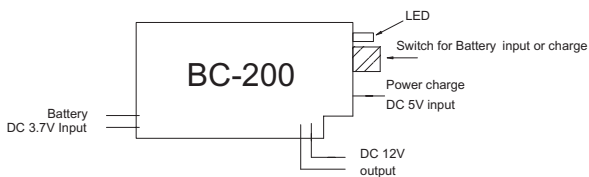


Specification

	Voltage	Stand by current (open load)	Output current	Power charge current
Power charge	DC 5V Input	/	/	750mA(max)-open 1700mA(max)-full
Li-Battery	DC 3.7V Input	0mA	400mA(max) for DC 12V	/

Function

- LED ON GREEN LIGHTING FOR POWER CHARGE.
- IDEA FOR LI-BATTERY 3.7V UP TO DC 12V FOR SECURITY DEVICE APPLICATION.



Voltage Step-up Transformer:

VT-03XX



Specification

Item NO.	VT-0305	VT-0306	VT-0309	VT-0312
Power Input	DC 2.7V~5V			
Power Output	DC 5V	DC 6V	DC 9V	DC 12V
Power Current	at DC 3V 200mA(max)	at DC 3V 180mA(max)	at DC 3V 120mA(max)	at DC 3V 70mA(max)



VT-03XX

DIGITAL VIDEO RECORDER

Specifications:

Feature	Spec	Remark
Operation	OSD	
Storage Device	General Hard Disk (IDE Type)	
Storage Size	20/40/60/80/120/240GB	Max.120/240GB
Compression Type	PEG 2 Video, MPEG 1 Layer II Audio	
Video Format	CCIR656 NTSC/PAL	
Video Input Type	4 Ch	
Video Output Type	1 Ch	BNC
Audio Input Type	Mono RCA (470K ohm)	
Audio Output Type	Mono RCA (600 ohm)	
Mic Input/Output Type	Mono RCA (600 ohm)	
Video Type	NTSC 704 X 480 at 30FPS PAL 704 x 576 at 25FPS	QUAD Image
Selectable Frame Rate	NTSC 30/15/1 FPS PAL 25/13/0.8 FPS	QUAD Image
Compression Method	MPEG2	
Display Mode	Single channel(1Ch, 2Ch, 3Ch, 4Ch) Auto-sequence(1-10sec,15sec,20sec,25sec,30sec) Quad	
I/O Port	Video Input:4Ch	
Display Mode	Video Output:1Ch Audio Input/Output:1Ch Mic:Input/Output:1Ch Alarm Input:4Ch Alarm Output:1Ch	
Resolution	NTSC 352 X 240(Under Quad Mode),704 x480(Only Monitoring) PAL 352 X 288(Under Quad Mode),704 x 576(Only Monitoring)	
Compression Rate	4.5Mbps / 2.5Mbps(option)	
Max. Record Time	18Hours(30fps, 4.5Mbps, Audio ON) 28Hours(15fps, 4.5Mbps, Audio ON) 160Hours(1fps, 4.5Mbps, Audio ON) 269Hours(1fps, 4.5Mbps, Audio OFF)	Under 40GB HDD FOR 4CH DVD QUALITY
Record Mode	Manual, Alarm Trigger Motion detection (All, Top Left, Top Right Bottom Left, Bottom Right, Center) 10 Schedules (Mode: Record, Motion, Alarm)	
Motion Sensitivity	1-100	
Alarm Trigger Mode	Normal Open, Normal Close	
Play Back Speed	Step, 1X, 2X, 4X, 8X, 16X	
Search	Date/Time base Quick Search (One button) Fast move to previous and next clip	
Password	Max. 4 characters	
Power	DC 12V 3.6A included supply HDD	

DVR-2040F



DVR-2040E



Ordering Information:

MODEL	HARD.DISK	Fix HDD.	Extract HDD
DVR-2040F	40G	○	
DVR-2080F	80G	○	
DVR-2120F	120G	○	
DVR-2240F	240G	○	
DVR-2040E	40G		○
DVR-2080E	80G		○
DVR-2120E	120G		○
DVR-2240E	240G		○



MINIATURE MICROPHONE



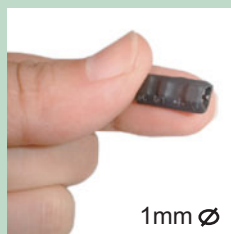
● Specification

Model	Frequency	S/N Ratio	Impedance	Power Input	Power Current	Output Terminal	Application
MS-3000	20-16000Hz	MORE THAN 58dB	600 ohms 20% (at 1K Hz)	DC 12V	20mA	RCA Male & Female (Optional)	Indoor (5-10 meter)
MS-6000							
MS-3100							
MS-3200							
MS-3600							
MS-3300	20-10000Hz	Maximum 63dB SPL	150 ohms 20% (at 1K Hz)		30mA		

● Ordering Information

Model	Cable Length	Plug Type
MS-3000 MS-3100 MS-3200 MS-3300 MS-3600 MS-6000	50cm	RCA (F)
MS-3000F MS-3100F MS-3200F MS-3300F MS-3600F MS-6000F	180cm	RCA (M)
MS-3000P MS-3100P MS-3200P MS-3300P MS-3600P MS-6000P	180cm	PHONE JAKE
MS-3000M MS-3100M MS-3200M MS-3300M MS-3600M MS-6000M	180cm	RCA (M)
MS-3000W MS-3100W MS-3200W MS-3300W MS-3600W MS-6000W	15cm	4 WIRE

● Ultra Mini Microphone



- High resistance to mechanical shock
- Low vibration sensitivity
- Various responses available
- Lower noise than standard

MS-3300

● Dimension

Model	Dimension
MS-3000	6x18x8 mm
MS-6000	
MS-3100	6x18x4 mm
MS-3200	
MS-3300	
MS-3600	Ø10x35

CAMERA BRACKET & HOUSING

Bracket



Ordering Information

Model	MS-9221S	MS-9021S	MS-9021ST	MS-9021L	MS-9120	MS-9020	MS-9005S	MS-9123	MS-9122	MS-9023	MS-9022	MS-9222	MS-9025	MS-9025S	MS-9038
Load rating(kg)	6	4	3	3	3.5	3	2	10	10	10	10	8	1	0.02	3
Dimensions(mm)	200X60X90	140X76	140X76	155X76	155X90	115X45	153(L)	285(L)	285(L)	285(L)	285(L)	205(L)	51X53	25X23	43mm Cross
Weight(g)	180	120	190	200	160	200	80	500	750	750	1000	580	200	3.3	30

Housing



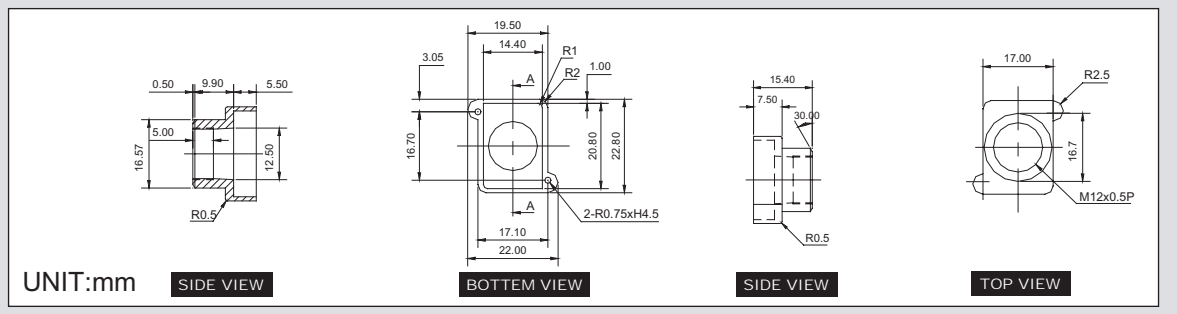
H:W/HEATER B:W/BLOWER HB:W/H+B

Ordering Information

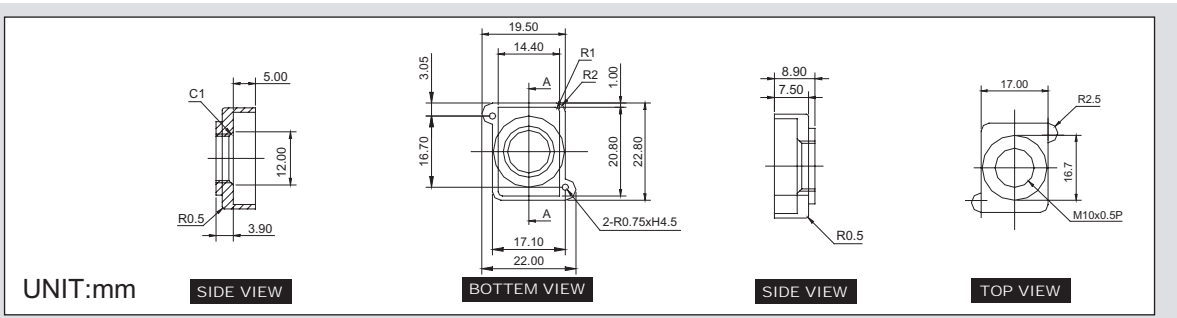
MODE	MS-9009	MS-9010	MS-9010H	MS-9210	MS-9310	MS-9016	MS-9016H	MS-9016B	MS-9006
Heater(H) / Blower(B)	NONE	NONE	H	NONE	NONE	NONE	H	B	NONE
IN(I) / OUT(O) DOOR	I	I/O	I/O	I/O	I/O	I/O	I/O	I/O	I/O
Dimensions(mm)	80X70X260	100X110X390	100X110X390	100X110X250	100X110X100	140X105X400	140X105X400	140X105X400	113X160X510
Weight(g)	800	1300	1500	800	600	1300	1300	1300	2700

HOLDER

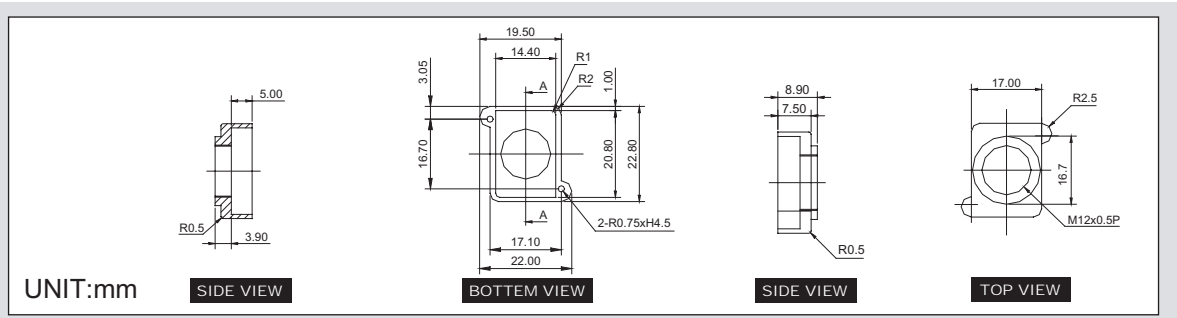
MS-9031



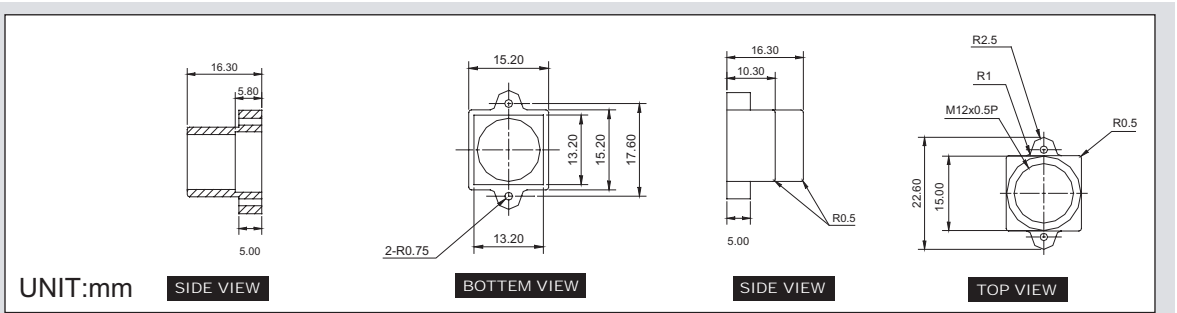
MS-9032



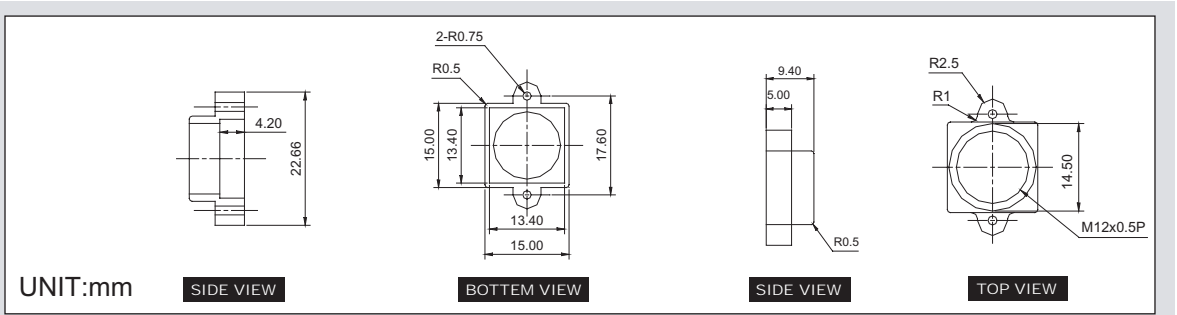
MS-9033



MS-9131



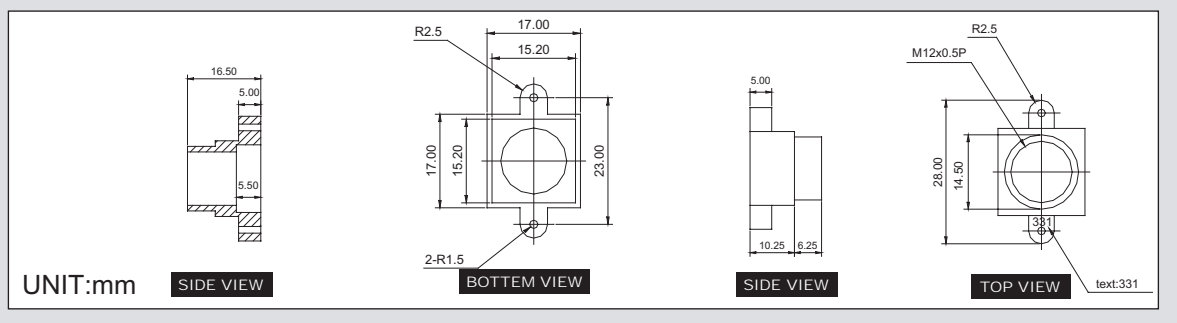
MS-9133



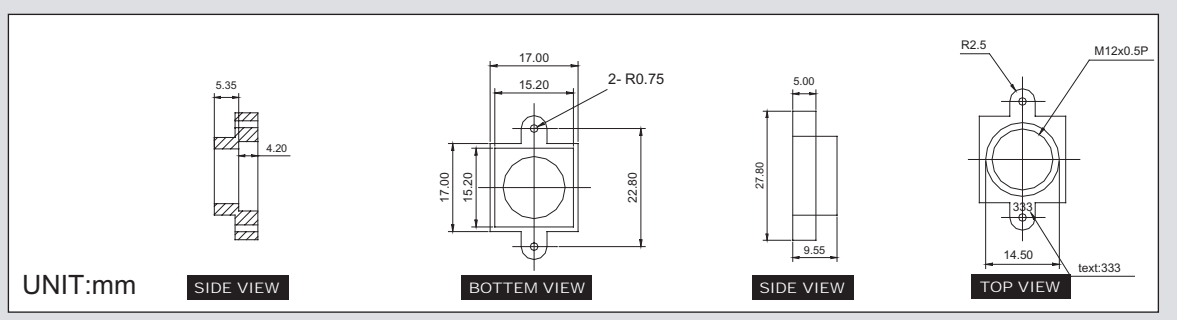


HOLDER

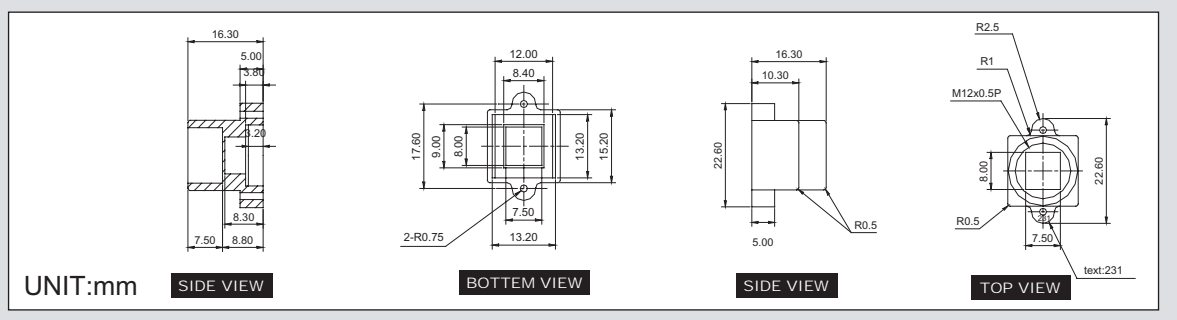
MS-9331



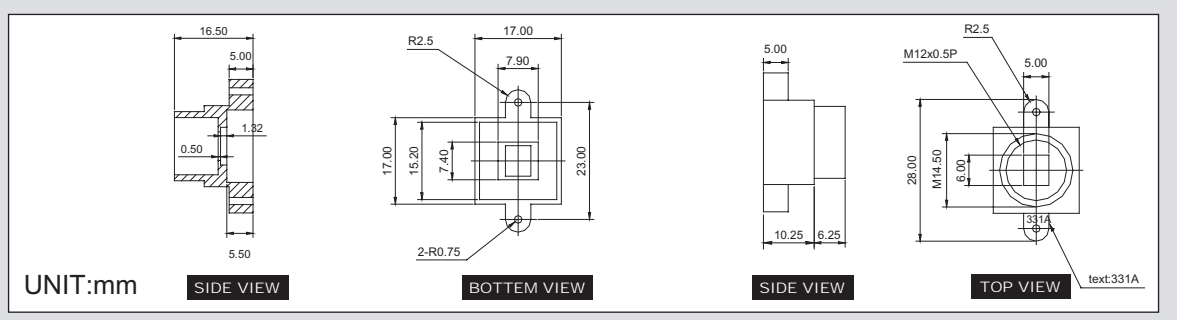
MS-9333



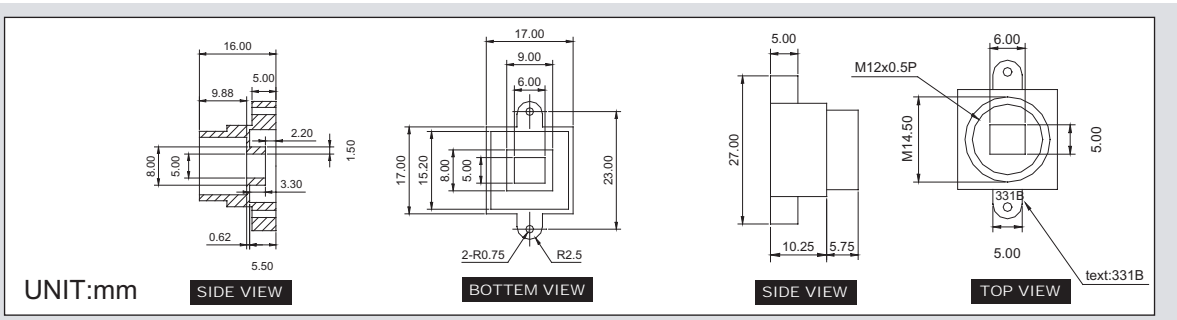
MS-9231



MS-9331A



MS-9331B



HOLDER

MS-9331E

