

MISUMI

ELECTRONICS CORP.

Products Catalogue



Tel: 886-2-2226-6303

E-mail: mscctv@ms9.hinet.net

Home Page: <http://www.misumi.com.tw>

Address: 5F-3, NO. 70. Jiann-Liow Rd., Chung-Ho City, Taipei Shann, Taiwan, R.O.C.

Specification

INFRARED CCD Camera

CCD INFRARED CAMERA		
Item NO.	MS-C4RW2	MS-C4RC2
Video system.	NTSC/PAL	
Number of Effective Pixels	512x492 (NTSC) 512x582 (PAL)	
CCD Image Sensor	1/4" Color CCD IR Camera	
Scanning System	2:1 INTERLACE	
Synchronization	INTERNAL	
S/N Ratio	more than 48dB	
Dimensions (mm)	Camera	57x85 mm
	Bracket	187x91 mm 133x76 mm
Resolution (TV Lines)	350 TV Lines	
Minimum Illumination	0.5Lux / F1.2 ; LED ON:0.0Lux/F1.2	
Electronic Shutter	1/50 - 1/100,000	
Horizontal Sync Frequency	NTSC(EIA)-15.734kHz / PAL(CCIR)-15.625kHz	
Vertical Sync Frequency	NTSC(EIA)-60Hz / PAL(CCIR)-50Hz	
Gamma Consumption	0.45	
Video Output	1Vp-p , 75ohms Composite	
Audio Output	Frequency 20-16000Hz,S/N ratio more than 58dB (Optional)	
Storage Temperature	-30 to 60 Degree C	
Working Temperature	-10 to 45 Degree C	
Power Source	DC 12V(standard)	
Power Current	150mA(max)	
Infrared Illuminator	12 LED	
	390g	365g
Day (color) and night (B/W infrared)		



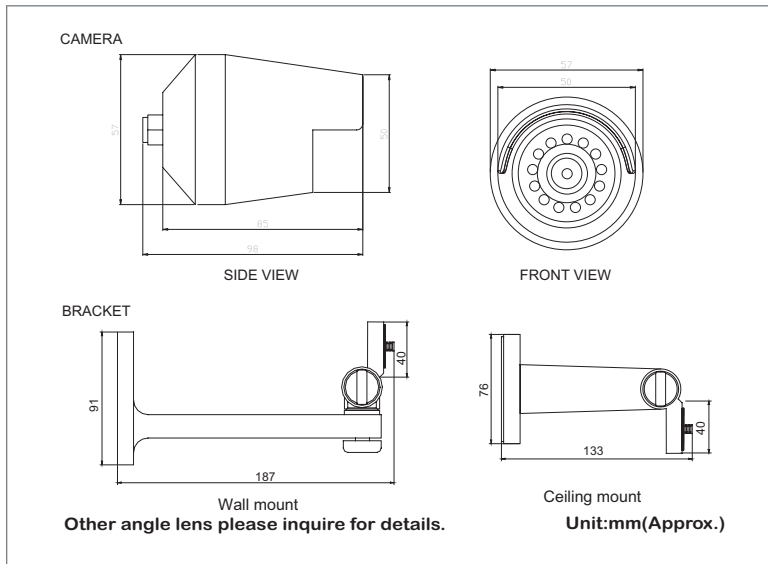
Wall mount
MS-C4RW2



Ceiling mount
MS-C4RC2

Dimensions

Feature



Weatherproof 1/4" CCD color IR camera day & night.

Use wherever CCD cameras are used to provide day/night operation.

Designed for Fixed or Pan/Tilt Mounts. Optional Sun Shade.

Impact and tamper resistant.

Wall mount (Horizontal 360 degree & Vertical 180 degree)

Ceiling mount (Horizontal 360 degree & Vertical 180 degree)

12 LED Infrared Illuminator

With Anti-IR focus distortion technology built-in

other type



MO-N100

Captured By

DAY (color)



NIGHT (B/W infrared)



Specification
INFRARED CCD Camera

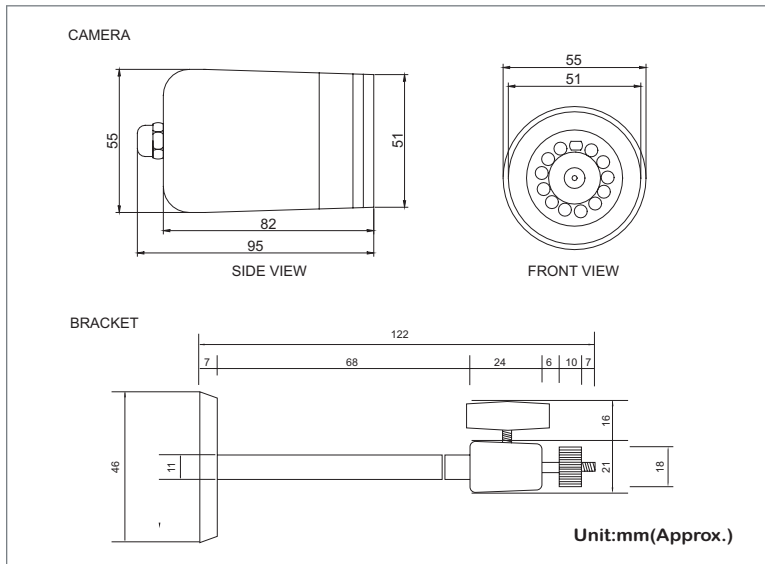
		CCD INFRARED CAMERA	
Item NO.		MS-C4R1	MS-C4R3
Video system.		NTSC/PAL (Color)	
Number of Effective Pixels		512x492 (NTSC) 512x582 (PAL)	
CCD Image Sensor		1/4" Color CCD IR Camera	
Scanning System		2:1 INTERLACE	
Synchronization		INTERNAL	
S/N Ratio		more than 48dB	
Dimensions (mm)	Camera	55x95 mm	
	Bracket	122x46 mm	
Resolution (TV Lines)		350 TV Lines	
Minimum Illumination		0.2Lux / F 1.2 (IR ON 0Lux/F2.0)	
Electronic Shutter		1/50 - 1/100,000	
Horizontal Sync Frequency		NTSC(EIA)-15.734kHz / PAL(CCIR)-15.625kHz	
Vertical Sync Frequency		NTSC(EIA)-60Hz / PAL(CCIR)-50Hz	
Gamma Consumption		0.45	
Video Output		1Vp-p , 75ohms Composite	
Audio Output		Frequency 20-16000Hz,S/N ratio more than 58dB (Optional)	
Storage Temperature		-30 to 60 Degree C	
Working Temperature		-10 to 45 Degree C	
Power Source		DC 12V(standard)	
Power Current		150mA(max)	
Infrared Illuminator		12 LED	
		249g	294g
		Day (color) and night (B/W infrared)	



MS-C4R1



MS-C4R3

Dimensions
Feature


Weatherproof 1/4" CCD color IR camera day & night.

Use wherever CCD cameras are used to provide day/night operation.

Designed for Fixed or Pan/Tilt Mounts. Optional Sun Shade.

Impact and tamper resistant.

Wall mount (Horizontal 360 degree & Vertical 180 degree)

Ceiling mount (Horizontal 360 degree & Vertical 180 degree)

12 LED Infrared Illuminator

With Anti-IR focus distortion technology built-in

other type


MO-N600

Captured By
DAY (color)

NIGHT (B/W infrared)


Specification

INFRARED CCD Camera

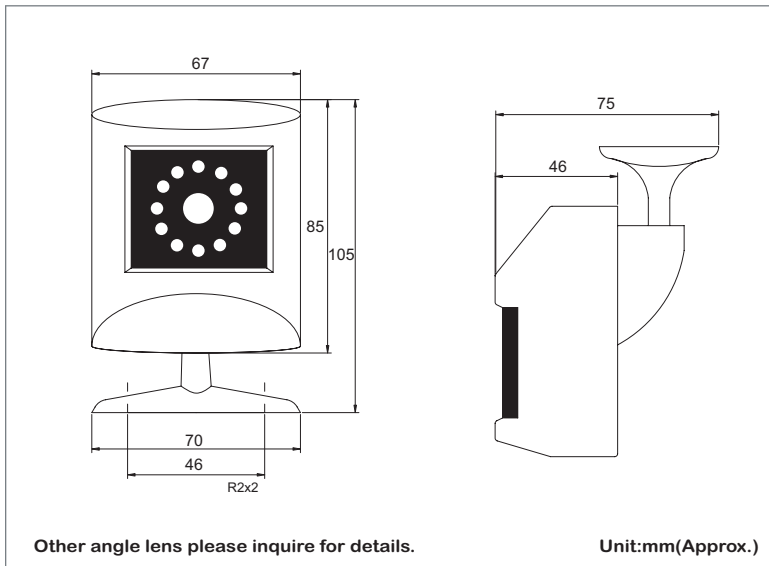
CCD INFRARED CAMERA	
Item NO.	MS-C465AR
Video system.	NTSC/PAL
Number of Effective Pixels	512x492 (NTSC) 512x582 (PAL)
CCD Image Sensor	1/4" Color CCD IR Camera
Scanning System	2:1 INTERLACE
Synchronization	INTERNAL
S/N Ratio	more than 48dB
Dimensions(mm)	67x85x46 mm
Resolution (TV Lines)	350 TV Lines
Minimum Illumination	0.5Lux / F1.4(Day) & 0Lux /F1.4(Night by Led)
Electronic Shutter	1/50 - 1/100,000
Built-Lens	3.6mm/F2.0
Horizontal Sync Frequency	NTSC(EIA)-15.734kHz / PAL(CCIR)-15.625kHz
Vertical Sync Frequency	NTSC(EIA)-60Hz / PAL(CCIR)-50Hz
Gamma Consumption	0.45
Video Output	1Vp-p , 75ohms Composite
Audio Output	Frequency 20-16000Hz,S/N ratio more than 58dB (Optional)
Storage Temperature	-30 to 60 Degree C
Working Temperature	-10 to 45 Degree C
Power Source	DC 12V(standard)
Power Current	150mA(max) / IR ON-235mA(max)
Infrared Illuminator	12 LED
Weight	90g
Day (color) and night (B/W infrared)	



MS-C465AR

Dimensions

Feature



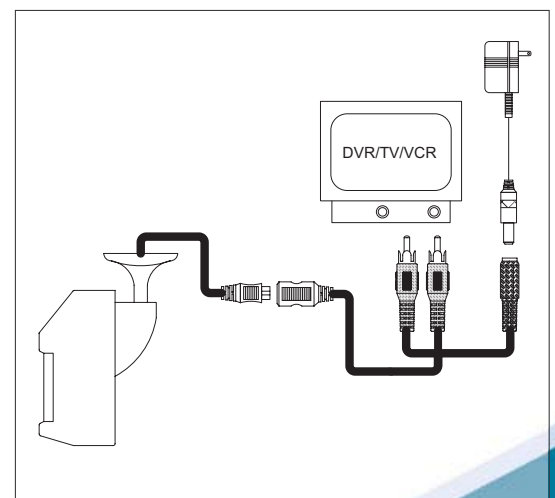
Use wherever CCD cameras are used to provide day/night operation.

Day illumination : 0.5Lux at F1.4
Night illumination : 0Lux at F1.4

12 LED Infrared Illuminator

With Anti-IR focus distortion technology built-in

Instruction Drawing



Captured By

DAY (color)

NIGHT (B/W infrared)



Specification

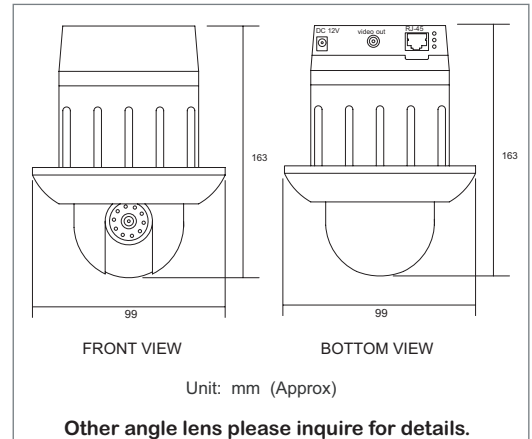
CCD Network P/T Dome Camera

CCD NETWORK P/T DOME CAMERA	
Model.	IP-700R
Power	
Supply	DC12V , 1.2A
Consumption	-14.4 Watts (max)
Networking	
Connectivity	10/100 Ethernet
Protocols	SMTP,FTP,DHCP,HTTP
Internet	Built-in HTTP Web server, DHCP Client
Event Controls	
Trigger Source	Motion Detection
Alarm Notifications	FTP/Mail motion image, Message
Sensor	1/3" CCD Image Sensor
Image	
Compression	JPEG/MJPEG
Format	NTSC - 640x480 / 320x240 / 160x120 PAL - 704x576 / 352x288 / 176x144
Bandwidth Control	Frame Rate Controls
Format Rate	30fps@320x240 25fps@352x288 20fps@640x480 20fps@704x576
Quality	5 Level image Quality
Image adjustments	Brightness / Saturation / Contrast / Hue
Security Controls	
Access Controls	Administrative / User Level Password Protection
Configuration	HTTP Port configurable
Log	Historical Access Log Management
Operation Environment	
Temperature	5~50 Degree C (41~122 Degree F)
Humidity	20%~80%
LED Indications	Power , Network
Dimension	99x163 mm
Remote Viewing	Windows 98/2000/XP IE5.X or above
Dome Space	
Built-in Lens	6mm/F2.0
View Range	Pan: 360 Degree, Tilt:90 Degree
Moving Speed	Per Second 12~300 Degree



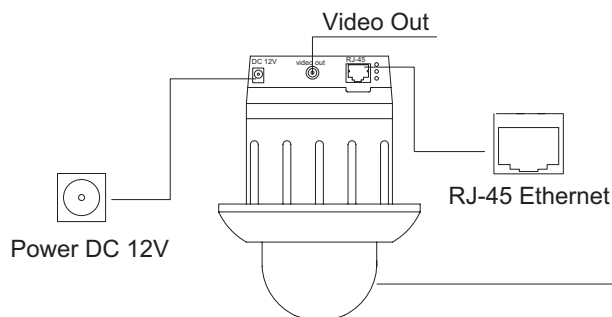
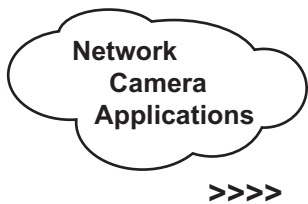
IP-700R

Dimensions

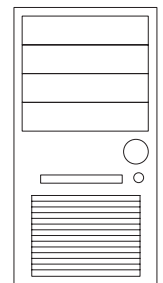


Feature

- IP NETWORK P/T DOME CAMERA.
- CPU : 32 Bits RISC processor. 16Mb Flash, 64Mb SDRAM
- Linux OS.
- TCP/IP network remote Video transmission system.
- Built-in Web sever.
- Built-in DHCP Client.
- Built-in Motion Detection.



Remote Management



10/100Mbps Network

Specification

CMOS Board Camera

CMOS BOARD CAMERA					
Item NO.	MO-B332	MO-B432	MO-B532	MO-B632	MO-B732
Video system.	EIA/CCIR		NTSC/PAL		EIA/CCIR
Number of Effective Pixels	NTSC (EIA)	510x492	320x240	510x492	510x492
	PAL (CCIR)	628x582	352x288		628x582
CMOS Image Sensor	1/3"		1/4"	1/3"	1/4"
Scanning System	2:1 INTERLACE				
Synchronization	INTERNAL				
Resolution (TV Lines)	380	240		380	
S/N Ratio	more than 48dB				
Minimum Illumination	0.2Lux	0.5Lux	1.5Lux	3Lux	0.1Lux
Electronic Shutter	1/50 - 1/15000	1/50 - 1/6000	1/50 - 1/63000	1/50 - 1/15000	1/50 - 1/63000
Horizontal Sync Frequency	NTSC(EIA)-15.734kHz / PAL(CCIR)-15.625kHz				
Vertical Sync Frequency	NTSC(EIA)-60Hz / PAL(CCIR)-50Hz				
Gamma Consumption	0.45				
Video Output	1Vp-p , 75ohms Composite				
Audio Output	Frequency 20-16000Hz,S/N ratio more than 48dB SPL(at 1000Hz)(Ordering in advance)				
Audio Standard	Frequency 20-16000Hz,S/N ratio more than 48dB				
Built-In Lens	3.6mm/F2.0(G-type) , 4.3mm/F2.0(P-type)				
Storage Temperature	-30 to 60 Degree C				
Working Temperature	-10 to 45 Degree C				
Power Source	DC 7-12V(standard)				
Power Current	50mA(max)				
Dimension(mm)	32x32mm(standard) or 33x38mm(W/LED)				



MO-Bx32P



MO-Bx32G



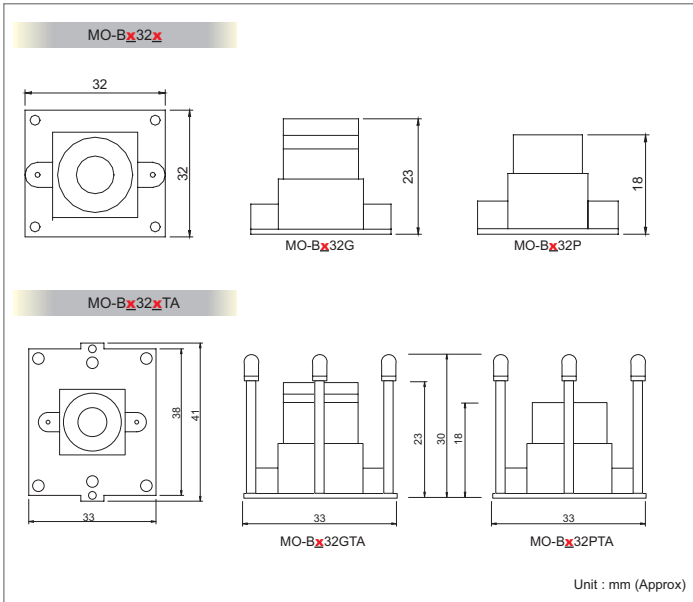
MO-Bx32PTA



MO-Bx32GTA

Dimensions

Ordering Information



MO-Bx32x				
MODEL	MICRO LENS	PIN HOLE LENS	MIC	NOTE(Dimension)
MO-Bx32P		4.3mm/F2.0		32x32(mm)
MO-Bx32PA		4.3mm/F2.0	●	32x32(mm)
MO-Bx32G	3.6mm/F2.0			32x32(mm)
MO-Bx32GA	3.6mm/F2.0		●	32x32(mm)

MO-Bx32xTA				
MODEL	MICRO LENS	PIN HOLE LENS	MIC	NOTE(Dimension)
MO-Bx32PTA		4.3mm/F2.0	●	33x38(mm)
	3.6mm/F2.0		●	33x38(mm)

Note:
MO-B332xTA : x: G or P TA: 6 IR Led & Microphone

Type explaining

MO-B332GTA:

- ① MO : CMOS CAMERA
- ② B : Board
- ③ Different sensor, please consult specification
- ④ Board Dimension
- ⑤ G:Micro Lens ; P: Pin Hold Lens
- ⑥ With 6 IR LED and Microphone

All Board Types



MO-B1626G



MO-B328P



MO-B432G

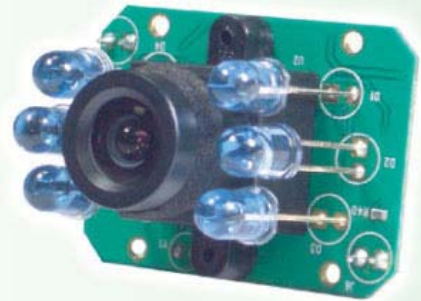


MO-B532GT

Specification

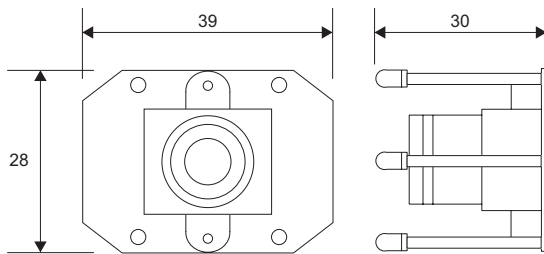
CMOS Board Camera

CMOS BOARD CAMERA					
Item NO.		MO-B1639	MO-B539	MO-B639	MO-B739
Video system.		NTSC/PAL	NTSC Only	NTSC/PAL	EIA Only
Number of Effective Pixels	NTSC (EIA)	510 x 492	510 x 492	510 x 492	510 x 492
	PAL (CCIR)	628 x 582		628 x 582	
CMOS Image Sensor		1/3 " color	1/4 " color	1/3 " color	1/4 " B/W
Scanning System		2:1 INTERLACE			
Synchronization		INTERNAL			
Resolution (TV Lines)		380 TV line			
S/N Ratio		more than 48dB			
Minimum Illumination		1 Lux / F1.2	1.5 Lux / F1.2	3 Lux / F1.2	0.05 Lux / F1.2
Electronic Shutter		1/50 ~ 1/125,000	1/60 ~ 1/63,000	1/50 ~ 1/15,000	1/60 ~ 1/63,000
Horizontal Sync Frequency		NTSC(EIA)-15.734kHz / PAL(CCIR)-15.625kHz			
Vertical Sync Frequency		NTSC(EIA)-60Hz / PAL(CCIR)-50Hz			
Gamma Consumption		0.45			
Video Output		1Vp-p , 75ohms Composite			
Audio Output		Frequency 20-16000Hz,S/N ratio more than 48dB SPL(at 1000Hz))(Ordering in advance)			
Audio Standard		Frequency 20-16000Hz,S/N ratio more than 48dB			
Built-In Lens		4.3mm/F2.0(G-type)			
Storage Temperature		-30 to 60 Degree C			
Working Temperature		-10 to 45 Degree C			
Power Source		DC 5 -12V(standard)			
Power Current		60mA(max)			
Dimension(mm)		39 x 28mm(standard)			



MO-B1639GTA

Dimensions



Unit : mm (Approx)

Ordering Information

MO-Bx32x

MODEL	MICRO LENS	PIN HOLE LENS	MIC	NOTE(Dimension)
MO-Bx39P		4.3mm/F2.0		32x32(mm)
MO-Bx39PA		4.3mm/F2.0	●	32x32(mm)
MO-Bx39G	3.6mm/F2.0			32x32(mm)
MO-Bx39GA	3.6mm/F2.0		●	32x32(mm)

Type explaining

MO-B339GTA:

- ① MO : CMOS CAMERA
- ② B : Board
- ③ Different sensor, please consult specification
- ④ Board Dimension
- ⑤ G : Micro Lens ; P : Pin Hold Lens
- ⑥ T : IR LED ; D : White LED
- ⑦ Microphone

All Board Types



MO-B1626G



MO-B328P



MO-B432G



MO-B532GT

Specification

Model	MO-D365GT	MO-D465GT	MO-D565GT	MO-D665GT	MO-D765GT
Video system	CCIR / EIA		NTSC Only	NTSC / PAL	EIA Only
Number of effective pixels	NTSC(EIA)	510x492	320x240	510x492	510x492
	PAL(CCIR)	628x582	352x288		628x582
Image sensor	1/3"	1/4"	1/4"	1/3"	1/4"
Resolution(TV Lines)	380	240	380		
S/N Ratio	more than 48dB				
Minimum illumination	0.2 LUX	0.5 LUX	1.5 LUX	3 LUX	0.05 LUX
Electronic shutter	1/50 - 1/15,000	1/50 - 1/6,000	1/50 - 1/63,000	1/50 - 1/15,000	1/50 - 1/63,000
Horizontal sync frequency	NTSC(EIA)-15.734kHz / PAL(CCIR)-15.625kHz				
Vertical sync frequency	NTSC(EIA)-60Hz / PAL(CCIR)-50Hz				
Camera consumption	0.45				
Video output	1Vp-p, 75ohm composite				
Audio output	Frequency 20-16,000Hz, S/N ratio more than 58 SPL(at 1000Hz)(Ordering in advance)				
Built-in lens	3.6mm / F2.0 (G-type)				
Lens angle	89 °	58 °	70 °	80 °	70 °
Storage temperature	-30 to 60 Degree C				
Working temperature	-10 to 45 Degree C				
Power source	DC 7-12V(Standard)				
Power current	50mA	20mA	35mA	50mA	35mA
Power current (IR-ON)	135mA	105mA	120mA	135mA	120mA
Dimension (mm)	105 x 70				

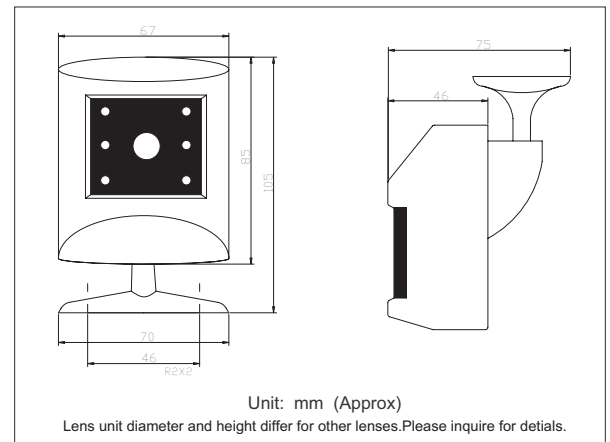
CMOS Hidden Camera


MO-Dx65

Ordering Information

MODEL	MICRO LENS	MIC
MO-D x 65GT	3.6mm / F2.0	
MO-D x 65GTA	3.6mm / F2.0	
NOTE:		
MO-D365GT A : W/Microphone		
MO-D x 65: 4 : 1/3" 0.2 Lux	4 : 1/4" 0.5 Lux	5 : 1/4" 0.2 Lux
6 : 1/3" 3 Lux	7 : 1/4" 0.05 Lux	
MO-D465GT: 6 IR-LED		

Dimensions



Other type



Specification

Snake CMOS Camera

INFRARED CMOS CAMERA				
Item NO.	MO-N1600	MO-N600	MO-N500	MO-N700
Video system.	NTSC/PAL		NTSC	EIA
Number of Effective Pixels	510X492(NTSC)		510X492 NTSC ONLY	510X492 EIA ONLY
	628X582(PAL)			
CMOS Image Sensor	1/3" CMOS		1/4" CMOS	
Scanning System	2:1 INTERLACE			
Synchronization	INTERNAL			
Resolution (TV Lines)	380 TV Lines			
S/N Ratio	more than 48dB			
Minimum Illumination	1 Lux / F 1.2	3 Lux / F 1.2	1.5 Lux / F 1.2	0.1 Lux / F 1.2
Electronic Shutter	1/50 - 1/125000	1/50 - 1/15000	1/50 - 1/63000	
Horizontal Sync Frequency	NTSC(EIA)-15.735kHz / PAL(CCIR)-15.624kHz			
Vertical Sync Frequency	NTSC(EIA)-60Hz / PAL(CCIR)-50Hz			
Gamma Consumption	0.45			
Video Output	1Vp-p , 75ohms Composite			
Audio Output	Frequency 20-16000Hz,S/N ratio more than 48dB SPL(at 1000Hz))(Ordering in advance)			
Audio Standard	Frequency 20-16000Hz,S/N ratio more than 48dB			
Built-In Lens	4.0mm/F2.0			
Storage Temperature	-30 to 60 Degree C			
Working Temperature	-10 to 45 Degree C			
Power Source	DC 12V(standard)			
Power Current	50mA(max)			

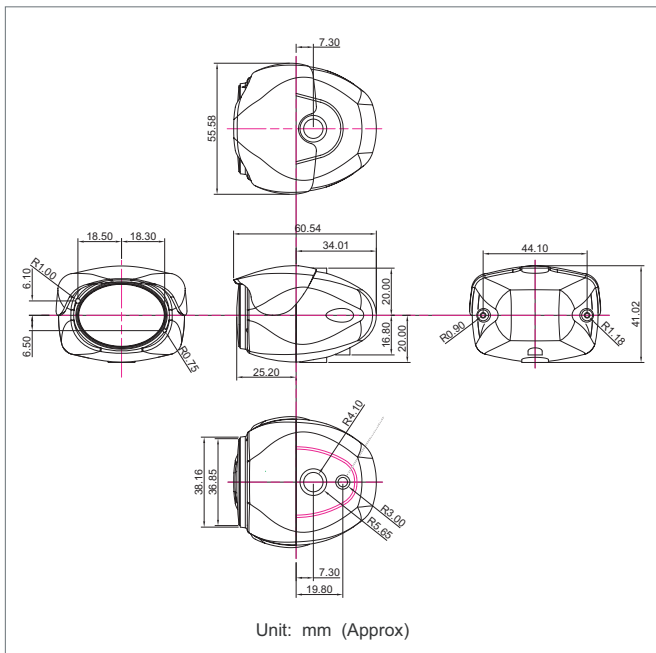


MO-Nx00-CG



MO-Nx00-S

Dimensions



Feature

1/3" & 1/4" CMOS color camera.

6 LED Infrared Illuminator

MO-N1600: Firmware enhance sharpness and image edge, Automatic exposure/gain with 16 zone control

Ordering Information

MODEL	Minimum Illumination	MIC	NOTE
MO-N1600-S	1 Lux / F 1.2	●	6 IR LED
MO-N500-S	1.5 Lux / F 1.2	●	6 IR LED
MO-N600-S	3 Lux / F 1.2	●	6 IR LED
MO-N700-S	0.1 Lux / F 1.2	●	6 IR LED
MO-N1600D-S	1 Lux / F 1.2	●	6 White light LED
MO-N500D-S	1.5 Lux / F 1.2	●	6 White light LED
MO-N600D-S	3 Lux / F 1.2	●	6 White light LED
MO-N700D-S	0.1 Lux / F 1.2	●	6 White light LED
MO-N1600-CG	1 Lux / F 1.2	●	6 IR LED
MO-N500-CG	1.5 Lux / F 1.2	●	6 IR LED
MO-N600-CG	3 Lux / F 1.2	●	6 IR LED
MO-N700-CG	0.1 Lux / F 1.2	●	6 IR LED
MO-N1600D-CG	1 Lux / F 1.2	●	6 White light LED
MO-N500D-CG	1.5 Lux / F 1.2	●	6 White light LED
MO-N600D-CG	3 Lux / F 1.2	●	6 White light LED
MO-N700D-CG	0.1 Lux / F 1.2	●	6 White light LED

NOTE:

MO-Nx00x-xx :

① ② ③

① 16: 1/3" Color (16 zone control) 5: 1/4" Color 6: 1/3" Color 7: 1/4" B/W

② D: White light LED

③ Outer cover color: S: Silvery CG: Golden yellow