

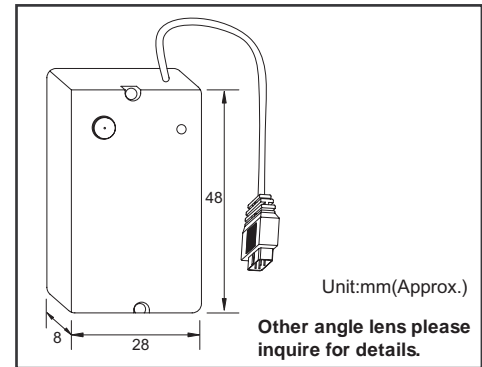


CCD COLOR BOARD CAMERA

● Specification:

Item NO.	MS-C476
Video System	NTSC/PAL
Number of Effective Pixels	510X492(NTSC) / 500X582(PAL)
CCD Image Sensor	1/4" Interline CCD
Scanning System	2:1 INTERLACE
Synchronization	INTERNAL
Resolution (TV Lines)	350 TV LINE
S/N Ratio	more than 52dB
Minimum Illumination	0.2 Lux at F 1.2
Electronic Shutter	1/50 - 1/120000
Horizontal Sync Frequency	NTSC-15.734kHz / PAL-15.625kHz
Vertical Sync Frequency	NTSC-60Hz / PAL-50Hz
Gamma Consumption	0.45
Video Output	1Vp-p , 75ohms Composite
Audio Output	Frequency 20-16000Hz,S/N ratio more than 63dB SPL(at 1000Hz))(Ordering in advance)
Audio Standard	Frequency 20-16000Hz,S/N ratio more than 58dB
Built-In Lens	3.1mm / F3.4
Storage Temperature	-30 to 60 Degree C
Working Temperature	-10 to 45 Degree C
Power Source	DC 12V(standard)
Power Current	70mA(max)
Dimension(mm)	28 X 48 X 8mm

● CCD Color Board Camera:



● Optional:

● Transmitter



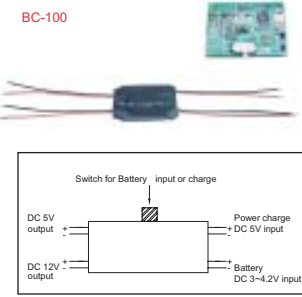
● Receiver



● LI-ON Battery



● Charge Board

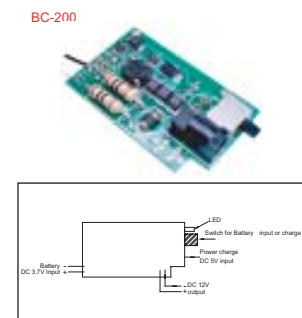


NOTE:
Switch to life (A MODE) for 3.7V up to DC 12V & 5V from battery, or stand by status.(open load).
Switch to right (B MODE) for battery charge from DC 5V input.

LED ON red lighting for power charge
LED ON green lighting for battery full indicate

Idea for Li-battery 3.7V up to DC 12V for security divece application.

	Voltage	Stand by current (open load)	Output Current	Power Charge Current
Power Charge Adaptor	DC 5V INPUT	/	/	750mA(max) (B MODE)
Li-Battery	DC 3.7V INPUT	20mA(A MODE)	220mA for DC 5V	/
			140mA for DC 12V	
			140mA for DC 12V	
			450mA for DC 5V	
			(A MODE)	



NOTE:
Switch to life for 3.7V up to DC 12V from battery, or stand by status.(open load).
Switch to right for battery charge from DC 5V input.

LED ON green lighting for power charge

Idea for Li-battery 3.7V up to DC 12V for security divece application.

	Voltage	Stand by current (open load)	Output Current	Power Charge Current
Power Charge	DC 5V INPUT	/	/	750mA(max)-OPEN 1700mA(max)-FULL
Li-Battery	DC 3.7V INPUT	0mA	140mA(max)	/
			for DC 12V	

● Ordering Information:

MODEL	PIN HOLE	MIC	NOTE
MS-C476	3.1mm/F3.4 CONE		1/4" CCD M.RES
MS-C476A	3.1mm/F3.4 CONE	■	1/4" CCD M.RES

NOTE: Medium resolution

● Kit:

VS-C476T-A1



RS-C476T-A1



Item NO	TX-BOX	TX-Module	Receiver	IR	Li-Battery	Charge Board	5" TFT LCD Receiver	Mini Receiver
KS-C476P								
KS-C476Y				■				
KS-C476M		■	■					
KS-C476YM		■	■	■				
KS-C476MB		■	■		■	■		
KS-C476YMB		■	■	■	■	■		
KS-C476T	■							
KS-C476YT	■			■				
VS-C476T	■						■	
RS-C476T	■							■

T:TX TXB TXB series Transmitter / Rechargeable Li-ion Battery / Charge Board All in one.

M:TX Module B:Rechargeable Battery Y:AR/IR Filter

P:Camera Only VS:High Mobile Values Pack (5" TFT LCD Wireless & TX-BOX Kit)

RS:High Mobile Values Pack (Mini Receiver & TX-BOX Kit)

KS-C476T-A1 Transmitter Frequency 2.4GHz (-A1), 1.2GHz (-B1)