



INFRARED CAMERA (DAY & NIGHT)

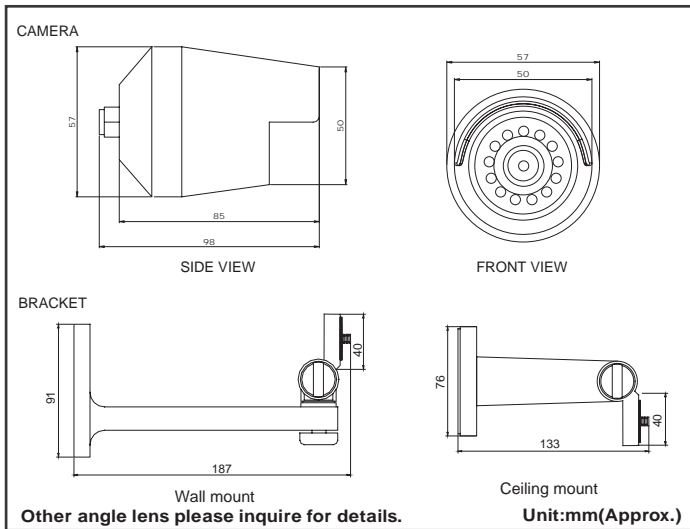
Specification:

Item NO.	MS-C4RW2	MS-C4RC2
Video System	NTSC/PAL	
Number of Effective Pixels	NTSC-512x492 / PAL-512x582	
CCD Image Sensor	1/4" Interline CCD	
Scanning System	2:1 INTERLACE	
Synchronization	INTERNAL	
Resolution (TV Lines)	350 TV Lines	
S/N Ratio	more than 18dB (AGC off)	
Minimum Illumination	0.5Lux at F 1.2, LED ON:0.0Lux at F1.2	
Electronic Shutter	1/50 - 1/100,000	
Horizontal Sync Frequency	NTSC-15.734kHz / PAL-15.625kHz	
Vertical Sync Frequency	NTSC-60Hz / PAL-50Hz	
Gamma Consumption	0.45	
Video Output	1Vp-p , 75ohms Composite	
Storage Temperature	-30 to 60 Degree C	
Working Temperature	-10 to 45 Degree C	
Power Source	DC 12V(standard)	
Power Current	150mA(max)	
Dimension(mm)	Camera	57x85mm
	Bracket	187x91mm / 133x76mm
Weight	390g	365g
Infrared Illuminator	12 LED	

Infrared Camera:



Wireless:



Model	Channel Frequency (MHz)	RF Output Power	Audio Sub Carrier
MS-C4RX2-A1	2413,2432 2451,2470	100mW	5.5MHz
MS-C4RX2-B1	1080,1120 1160,1200	100mW	5.5MHz
MS-C4RX2-C1	910, 980 1010,1040	100mW	5.5MHz

NOTE: MS-C4RX2 X=C:Ceiling mount X=W:Wall mount

Captured By:



Feature:

- Weatherproof 1/4" CCD color IR camera day & night.
- Use wherever CCD cameras are used to provide day/night operation.
- Designed for Fixed or Pan/Tilt Mounts.
- Impact and tamper resistant.
- Wall mount (Horizontal 360 degree & Vertical 180 degree)
- Ceiling mount (Horizontal 360 degree & Vertical 180 degree)
- 12 LED Infrared Illuminator
- With Anti-IR focus distortion technology built-in