

Specification

CMOS Camera

CMOS CAMERA			
Item NO.	MO-S414	MO-S514	MO-S714
Video system.	EIA/CCIR	NTSC Only	EIA Only
Number of Effective Pixels	NTSC(EIA)	320 x 240	510 x 492
	PAL(CCIR)	352 x 288	510 x 492
CMOS Image Sensor	1/4" B/W	1/4" Color	1/4" B/W
Scanning System	2:1 INTERLACE		
Synchronization	INTERNAL		
Resolution (TV Lines)	240 TV Lines	380 TV Lines	
S/N Ratio	more than 48dB		
Minimum Illumination	0.5 Lux / F 1.2	1.5 Lux / F 1.2	0.05 Lux / F 1.2
Electronic Shutter	1/50 - 1/6,000	1/60 - 1/63,000	1/50 - 1/63,000
Horizontal Sync Frequency	NTSC(EIA)-15.734kHz / PAL(CCIR)-15.625kHz		
Vertical Sync Frequency	NTSC(EIA)-60Hz / PAL(CCIR)-50Hz		
Gamma Consumption	0.45		
Video Output	1Vp-p , 75ohms Composite		
Audio Output	Frequency 20-16000Hz,S/N ratio more than 58dB SPL(at 1000Hz))(Ordering in advance)		
Built-In Lens	3.6mm / F2.0(G-type) , 4.3mm / F2.0(P-type)		
Lens Angle	3.6mm / 92 Degree		
Storage Temperature	-30 to 60 Degree C		
Working Temperature	-10 to 45 Degree C		
Power Source	DC 7 ~12V		
Power Current	20mA(max)	35mA(max)	35mA(max)



MO-Sx14P



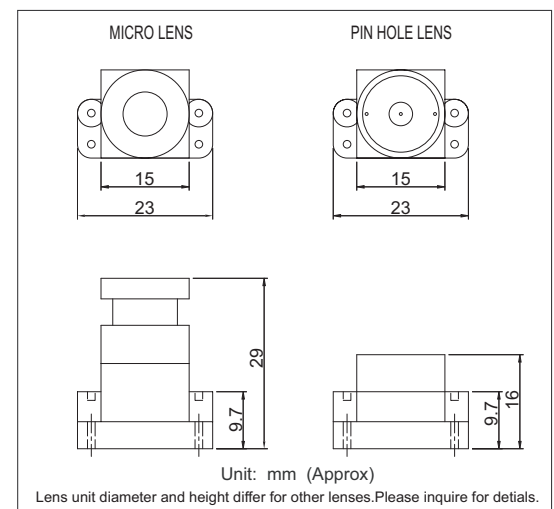
MO-Sx14G

Ordering Information

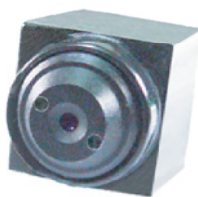
MODEL	MICRO	PIN HOLE	MIC	NOTE
MO-S414G	3.6mm / F2.0			CCIR / EIA
MO-S514G	3.6mm / F2.0			NTSC Only
MO-S714G	3.6mm / F2.0			EIA Only
MO-S414P-4C		3.7mm / F2.0 (CONE)		1/4" B/W
MO-S414P-4C		4.3mm / F2.0 (CONE)		1/4" B/W
MO-S414P-4F		3.7mm / F2.0 (FLAT)		1/4" B/W
MO-S414P-4F		4.3mm / F2.0 (FLAT)		1/4" B/W
MO-S414P-4T		3.1mm / F3.4 (SLIM)		1/4" B/W
MO-S414P-4T		3.9mm / F3.9 (SLIM)		1/4" B/W
MO-S514P-3C		3.7mm / F2.0 (CONE)		1/4" COLOR
MO-S514P-4C		4.3mm / F2.0 (CONE)		1/4" COLOR
MO-S514P-3F		3.7mm / F2.0 (FLAT)		1/4" COLOR
MO-S514P-4F		4.3mm / F2.0 (FLAT)		1/4" COLOR
MO-S514P-3T		3.1mm / F3.4 (SLIM)		1/4" COLOR
MO-S514P-4T		3.9mm / F3.9 (SLIM)		1/4" COLOR
MO-S714P-3C		3.7mm / F2.0 (CONE)		1/4" B/W
MO-S714P-4C		4.3mm / F2.0 (CONE)		1/4" B/W
MO-S714P-3F		3.7mm / F2.0 (FLAT)		1/4" B/W
MO-S714P-4F		4.3mm / F2.0 (FLAT)		1/4" B/W
MO-S714P-3T		3.1mm / F3.4 (SLIM)		1/4" B/W
MO-S714P-4T		3.9mm / F3.9 (SLIM)		1/4" B/W

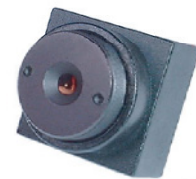
NOTE:
 MO-S714 : DC7~12V MO-SS714 : DC6~10V MO-SSS714: DC5V MO-SV714: DC3V
 MO-S714A : W/Microphone

Dimensions



Other type


 MO-S988-3T
ULTRA MINI COLOR CAMERA

 MO-S1616G
CCIQ

 MO-S1615P
CCIQ