

Specification

CMOS Camera

CMOS CAMERA			
Item NO.	MO-S1615xW	MO-S315xW	MO-S615xW
Video system.	NTSC/PAL	EIA/CCIR	NTSC/PAL
Number of Effective Pixels	510X492(NTSC / EIA)		
	628X582(PAL / CCIR)		
CMOS Image Sensor	1/3" CMOS		
Scanning System	2:1 INTERLACE		
Synchronization	INTERNAL		
Resolution (TV Lines)	380 TV Lines		
S/N Ratio	more than 48dB		
Minimum Illumination	1 Lux / F 1.2	0.2 Lux / F 1.2	3 Lux / F 1.2
Electronic Shutter	1/50 - 1/125000	1/50 - 1/15000	
Horizontal Sync Frequency	NTSC(EIA)-15.734kHz / PAL(CCIR)-15.625kHz		
Vertical Sync Frequency	NTSC(EIA)-60Hz / PAL(CCIR)-50Hz		
Gamma Consumption	0.45		
Video Output	1Vp-p , 75ohms Composite		
Audio Output	Frequency 20-16000Hz,S/N ratio more than 58dB SPL(at 1000Hz))(Ordering in advance)		
Built-In Lens	3.6mm / F2.0(G-type) , 4.3mm / F2.0(P-type)		
Lens Angle	3.6mm / 92 Degree		
Storage Temperature	-30 to 60 Degree C		
Working Temperature	-10 to 45 Degree C		
Power Source	DC 7 ~12V		
Power Current	60mA(max)	50mA(max)	



MO-Sxx15PW



MO-Sxx15GW

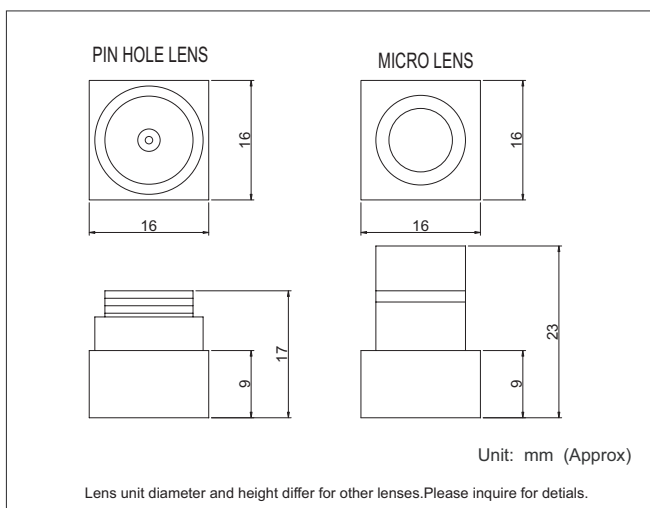
Ordering Information

MODEL	LENS	Channel Frequency	RF Output Power	Video system	Image sensor
MO-Sx15GW	3.6mm / F2.0 (Micro lens)				
MO-Sx15PW	4.3mm / F2.0 (Pin hole lens)				
MO-S315xW-A001		2410 - 2470 (MHz)	1mW	CCIR / EIA	1/3" B/W
MO-S315xW-B01		1080 - 1200 (MHz)	10mW	CCIR / EIA	1/3" B/W
MO-S315xW-C01		910 - 1080 (MHz)	10mW	CCIR / EIA	1/3" B/W
MO-S615xW-A001		2410 - 2470 (MHz)	1mW	NTSC / PAL	1/3" COLOR
MO-S615xW-B01		1080 - 1200 (MHz)	10mW	NTSC / PAL	1/3" COLOR
MO-S615xW-C01		910 - 1080 (MHz)	10mW	NTSC / PAL	1/3" COLOR
MO-S1615xW-A001		2410 - 2470 (MHz)	1mW	NTSC / PAL	1/3" COLOR
MO-S1615xW-B01		1080 - 1200 (MHz)	10mW	NTSC / PAL	1/3" COLOR
MO-S1615xW-C01		910 - 1080 (MHz)	10mW	NTSC / PAL	1/3" COLOR

NOTE:

MO-S315xW: P: Pin hole lens ; G: Micro lens

Specification



Feature

MO-S1615 : Shutter Speed : 1/50-1/125,000 Sec.

MO-S1615 : Sensitivity boost(+42 dB)

MO-S1615 : Automatic exposure/gain with 16 zone control

 MO-S1615 : **CCIQ** Challenge CCD Image Quality

MO-S1615 : Micro control storage

Firmware enhance sharpness and image edge

MO-S1615 : DC 5 ~12V (recommend 9V)