

Specification

CMOS Camera

CMOS CAMERA			
Item NO.	☆ MO-S1617	MO-S317	MO-S617
Video system.	NTSC/PAL	EIA/CCIR	NTSC/PAL
Number of Effective Pixels	510X492(NTSC / EIA)		
	628X582(PAL / CCIR)		
CMOS Image Sensor	1/3" CMOS		
Scanning System	2:1 INTERLACE		
Synchronization	INTERNAL		
Resolution (TV Lines)	380 TV Lines		
S/N Ratio	more than 48dB		
Minimum Illumination	☆ 1 Lux / F 1.2	0.2 Lux / F 1.2	3 Lux / F 1.2
Electronic Shutter	☆ 1/50 - 1/125000	1/50 - 1/15000	
Horizontal Sync Frequency	NTSC(EIA)-15.734kHz / PAL(CCIR)-15.625kHz		
Vertical Sync Frequency	NTSC(EIA)-60Hz / PAL(CCIR)-50Hz		
Gamma Consumption	0.45		
Video Output	1Vp-p , 75ohms Composite		
Audio Output	Frequency 20-16000Hz,S/N ratio more than 58dB SPL(at 1000Hz))(Ordering in advance)		
Built-In Lens	3.6mm / F2.0(G-type) , 4.3mm / F2.0(P-type)		
Lens Angle	3.6mm / 92 Degree		
Storage Temperature	-30 to 60 Degree C		
Working Temperature	-10 to 45 Degree C		
Power Source	DC 5 - 12V	DC 7 ~12V	
Power Current	60mA(max)	50mA(max)	



MO-Sxxx17P



MO-Sxxx17G

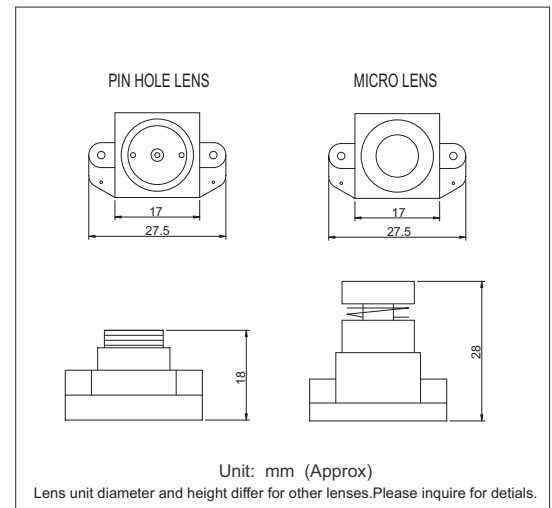
Ordering Information

MODEL	MICRO	PIN HOLE	NOTE
MO-S1617G	3.6mm / F2.0		Micro controler storage
MO-S317G	3.6mm / F2.0		
MO-S617G	3.6mm / F2.0		
MO-S1617P-3C		3.7mm / F2.0 (CONE)	1/3" COLOR H.RES Micro controler storage
MO-S1617P-4C		4.3mm / F2.0 (CONE)	1/3" COLOR H.RES Micro controler storage
MO-S1617P-3F		3.7mm / F2.0 (FLAT)	1/3" COLOR H.RES Micro controler storage
MO-S1617P-4F		4.3mm / F2.0 (FLAT)	1/3" COLOR H.RES Micro controler storage
MO-S1617P-3T		3.1mm / F3.4 (SLIM)	1/3" COLOR H.RES Micro controler storage
MO-S1617P-4T		3.9mm / F3.9 (SLIM)	1/3" COLOR H.RES Micro controler storage
MO-S317P-3C		3.7mm / F2.0 (CONE)	1/3" B/W H.RES
MO-S317P-4C		4.3mm / F2.0 (CONE)	1/3" B/W H.RES
MO-S317P-3F		3.7mm / F2.0 (FLAT)	1/3" B/W H.RES
MO-S317P-4F		4.3mm / F2.0 (FLAT)	1/3" B/W H.RES
MO-S317P-3T		3.1mm / F3.4 (SLIM)	1/3" B/W H.RES
MO-S317P-4T		3.9mm / F3.9 (SLIM)	1/3" B/W H.RES
MO-S617P-3C		3.7mm / F2.0 (CONE)	1/3" COLOR H.RES
MO-S617P-4C		4.3mm / F2.0 (CONE)	1/3" COLOR H.RES
MO-S617P-3F		3.7mm / F2.0 (FLAT)	1/3" COLOR H.RES
MO-S617P-4F		4.3mm / F2.0 (FLAT)	1/3" COLOR H.RES
MO-S617P-3T		3.1mm / F3.4 (SLIM)	1/3" COLOR H.RES
MO-S617P-4T		3.9mm / F3.9 (SLIM)	1/3" COLOR H.RES

NOTE:

M:Medium resolution , H: High resolution  
 MO-S617 : DC7~12V MO-SS617 : DC6~10V MO-SSS617 : DC5V MO-SV617 : DC3V  
 MO-S1617: DC 5~12V (recommend 9V)  
 MO-S617A : W/Microphone  
 MS-S1617P: Micro controler storage / gain with 16 zone control

Dimensions



Feature

- MO-S1617 : Shutter Speed : 1/50-1/125,000 Sec.
- MO-S1617 : Sensitivity boost(+42 dB)
- MO-S1617 : Automatic exposure/gain with 16 zone control
- MO-S1617 : CCIQ Challenge CCD Imager Quality
- MO-S1617 : Micro controler storage
- Firmware enhance sharpness and image edge
- MO-S1617 : DC 5 ~12V (recommend 9V)

Image capture



In the bright place

In the dark place