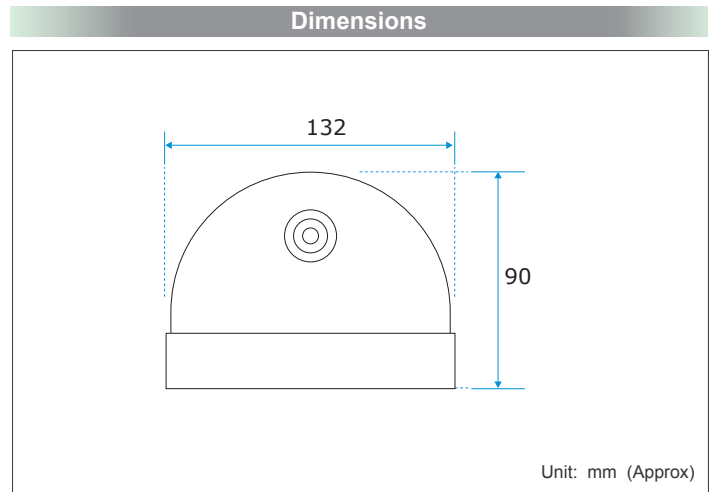


Specification		CCIQ Camera	
Model	MO-D1546F	MO-D2646F	
Video system	NTSC / PAL		
Number of effective pixels	NTSC	656 x 492	510 x 492
	PAL	/	628 x 582
Image sensor	1/4" color	1/3" color	
Resolution(TV Lines)	380		
S/N Ratio	more than 48dB		
Minimum illumination	1 LUX	0.2LUX	
Electronic shutter	1/50 - 1/200,000	1/50 - 1/125,000	
Horizontal sync frequency	NTSC-15.734kHz / PAL-15.625kHz		
Vertical sync frequency	NTCS-60Hz / PAL-50Hz		
Camera consumption	0.45		
Video output	1Vp-p , 75ohm composite		
Audio output	Frequency 20-16,000Hz , S/N ratio more than 58 SPL(at 1000Hz)(Ordering in advance)		
Built-in lens	3.6mm / F2.0 (G-type)		
Lens angle	70	90	
Storage temperature	-30 to 60 Degree C		
Working temperature	-10 to 45 Degree C		
Power source	DC 5-12V(Standard)		
Power current	200 mA		
Dimension (mm)	Ø132 x 90		



MO-Dxx46Fx

Ordering Information				
MODEL	LENS	LUX	Mic	NOTE
MO-D1546F	3.6 mm	1Lux/ F1.2		1/50 ~ 1/200,000
MO-D2646F	3.6 mm	0.2Lux/ F1.2		1/60 ~ 1/125,000
MO-D1546FA	3.6 mm	1Lux/ F1.2	●	1/50 ~ 1/200,000
MO-D2646FA	3.6 mm	0.2Lux/ F1.2	●	1/60 ~ 1/125,000



Feature

- 1/4" CCIQ CAMERA
- 1/3" CCIQ CAMERA
- Automatic exposure/gain with 16 zone control
- With Micro controller storage

Information

MO-D2642

MO-D2640

MS-16R5

1/3" D.N.R COLOR CCD IR DOME CAMERA