

Specification		CCIQ Camera			
Model		MO-D1541	MO-D1542	MO-D1641	MO-D1642
Video system	NTSC / PAL				
Number of effective pixels	NTSC	656 x 492		510 x 492	
	PAL	/		628 x 582	
Image sensor	1/4" Color		1/3" Color		
Resolution(TV Lines)	380				
S/N Ratio	more than 48dB				
Minimum illumination	1 LUX				
Electronic shutter	1/50 - 1/200,000		1/50 - 1/125,000		
Horizontal sync frequency	NTSC-15.734kHz / PAL-15.625kHz				
Vertical sync frequency	NTCS-60Hz / PAL-50Hz				
Camera consumption	0.45				
Video output	1Vp-p , 75ohm composite				
Audio output	Frequency 20-16,000Hz , S/N ratio more than 58' SPL(at 1,000Hz)(Ordering in advance)				
Built-in lens	3.6mm / F2.0 (G-type)				
Lens angle	70		90		
Storage temperature	-30 to 60 Degree C				
Working temperature	-10 to 45 Degree C				
Power source	DC 5-12V(Standard)				
Power current	60mA				
Dimension (mm)	φ 87 x 57				

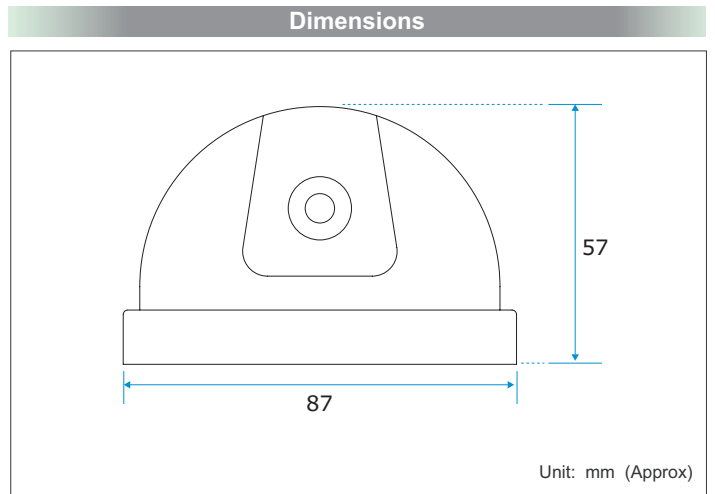


MO-Dxx41



MO-Dxx42

Ordering Information				
MODEL	LENS	LUX	Mic	NOTE
MO-D1541	3.6 mm	1Lux/ F1.2		1/50 ~ 1/200,000
MO-D1641	3.6 mm	1Lux/ F1.2		1/60 ~ 1/125,000
MO-D1541A	3.6 mm	1Lux/ F1.2	●	1/50 ~ 1/200,000
MO-D1641A	3.6 mm	1Lux/ F1.2	●	1/60 ~ 1/125,000
MO-D1542	3.6 mm	1Lux/ F1.2		1/50 ~ 1/200,000
MO-D1642	3.6 mm	1Lux/ F1.2		1/60 ~ 1/125,000
MO-D1542A	3.6 mm	1Lux/ F1.2	●	1/50 ~ 1/200,000
MO-D1642A	3.6 mm	1Lux/ F1.2	●	1/60 ~ 1/125,000



### Feature

1/4" CCIQ CAMERA
1/3" CCIQ CAMERA
Automatic exposure/gain with 16 zone control
With Micro controller storage

### Information

<p>MO-D1640</p>	<p>MO-D1646FA</p>	<p>MS-16R5</p> <p>1/3" D.N.R COLOR CCD IR DOME CAMERA</p>
-----------------	-------------------	---

## Specification

Model	MO-D34x	MO-D44x	MO-D54x	MO-D264x	MO-D74x
Video system	CCIR / EIA		NTSC Only	NTSC / PAL	EIA Only
Number of effective pixels	NTSC(EIA)	510x492	320x240	510x492	510x492
	PAL(CCIR)	628x582	352x288		628x586
Image sensor	1/3"	1/4"	1/4"	1/3"	1/4"
Resolution(TV Lines)	380	240		380	
S/N Ratio	more than 48dB				
Minimum illumination	0.2 LUX	0.5 LUX	1.5 LUX	0.2 LUX	0.05 LUX
Electronic shutter	1/50 - 1/15,000	1/50 - 1/6,000	1/50 - 1/63,000	1/50 - 1/125,000	1/50 - 1/63,000
Horizontal sync frequency	NTSC(EIA)-15.734kHz / PAL(CCIR)-15.625kHz				
Vertical sync frequency	NTCS(EIA)-60Hz / PAL(CCIR)-50Hz				
Camera consumption	0.45				
Video output	1Vp-p , 75ohm composite				
Audio output	Frequency 20-16,000Hz , S/N ratio more than 58 SPL(at 1000Hz)(Ordering in advance)				
Built-in lens	3.6mm / F2.0 (G-type)				
Lens angle	92°		70°	92°	70°
Storage temperature	-30 to 60 Degree C				
Working temperature	-10 to 45 Degree C				
Power source	DC 7-12V(Standard)				
Power current	50mA	20mA	35mA	50mA	35mA
Dimension (mm)	φ 87 x 57				

## CMOS Dome Camera



MO-Dx41



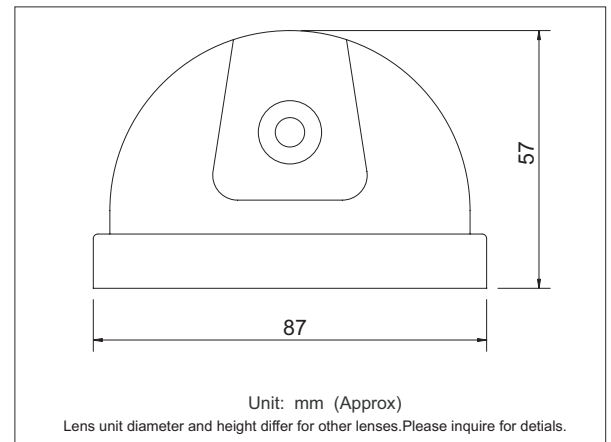
MO-Dx42

## Ordering Information

MODEL	MICRO LENS	MIC	NOTE
MO-Dx41	3.6mm / F2.0		Black
MO-Dx41A	3.6mm / F2.0	●	Black
MO-Dx42	3.6mm / F2.0		White
MO-Dx42A	3.6mm / F2.0	●	White

**NOTE:**  
 MO-D342A : W/Microphone  
 MO-Dx42: 4: 1/3" 0.2 Lux    4: 1/4" 0.5 Lux    5: 1/4" 0.2 Lux  
 26: 1/3" 0.2 Lux    7: 1/4" 0.05 Lux

## Dimensions



## Other type

