

Specification

Model	MO-P1650	MO-P1550
Video system	NTSC / PAL	NTSC Only
Number of effective pixels	NTSC(EIA)	510 x 492
	PAL(CCIR)	628 x 582
Image sensor	1/3" COLOR	1/4" COLOR
Resolution(TV Lines)	380	
S/N Ratio	more than 48dB	
AGC control	more than +27dB	
Minimum illumination	1 LUX	
Electronic shutter	1/50 - 1/125,000	1/50 - 1/200,000
Horizontal sync frequency	NTSC(EIA)-15.734kHz / PAL(CCIR)-15.625kHz	
Vertical sync frequency	NTSC(EIA)-60Hz / PAL(CCIR)-50Hz	
Camera consumption	0.45	
Video output	1Vp-p , 75ohm composite	
Audio output	Frequency 20-16,000Hz , S/N ratio more than 58 SPL(at 1000Hz)(Ordering in advance)	
Power source	DC 5 - 12V(Standard)	
Power current	60 mA	
Dimension (mm)	45 x 40 (mm)	

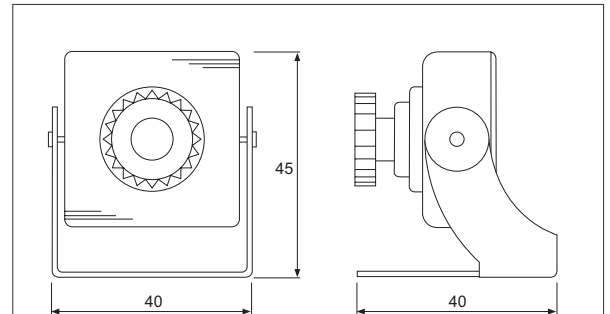
CMOS Camera

MO-P1x50P

MO-P1x50G
Ordering Information

MODEL	MICRO	PIN HOLE	NOTE
MO-P1x50G	3.6mm / F2.0		
MO-P1x50P-3C		3.7mm / F2.0 (CONE)	
MO-P1x50P-4C		4.3mm / F2.0 (CONE)	
MO-P1x50P-3F		3.7mm / F2.0 (FLAT)	
MO-P1x50P-4F		4.3mm / F2.0 (FLAT)	
MO-P1x50P-3T		3.1mm / F3.4 (SLIM)	
MO-P1x50P-4T		3.9mm / F3.9 (SLIM)	

NOTE:
 MO-Px50A : W/Microphone
 MO-P1x50: 5:1/4" Color ; 6:1/3" Color

Dimensions


Unit: mm (Approx)

Lens unit diameter and height differ for other lenses. Please inquire for details.

Other type

MS-C465
 1/4" CCD INFRARED CAMERA

MS-C850
 1/4" CCD CAMERA

MO-N1600

Specification

CMOS Camera

CMOS CAMERA					
Item NO.	MO-P350	MO-P450	MO-P550	MO-P650	MO-P750
Video system.	CCIR / EIA	CCIR / EIA	NTSC Only	NTSC / PAL	EIA Only
Number of Effective Pixels	NTSC(EIA)	510 x 492	320 x 240	510 x 492	510 x 492
	PAL(CCIR)	628 x 582	352 x 288		628 x 582
CMOS Image Sensor	1/3" B/W	1/4" B/W	1/4" Color	1/3" Color	1/4" B/W
Scanning System	2:1 INTERLACE				
Synchronization	INTERNAL				
Resolution (TV Lines)	380	240		380	
S/N Ratio	more than 48dB				
Minimum Illumination	0.2 Lux	0.5 Lux	1.5 Lux	3 Lux	0.05 Lux
Electronic Shutter	1/50 - 1/15,000	1/50 - 1/6,000	1/50 - 1/63,000	1/50 - 1/15,000	1/50 - 1/63,000
Horizontal Sync Frequency	NTSC(EIA)-15.734kHz / PAL(CCIR)-15.625kHz				
Vertical Sync Frequency	NTSC(EIA)-60Hz / PAL(CCIR)-50Hz				
Gamma Consumption	0.45				
Video Output	1Vp-p , 75ohms Composite				
Audio Output	Frequency 20-16000Hz,S/N ratio more than 58dB SPL(at 1000Hz))(Ordering in advance)				
Built-In Lens	3.6mm / F2.0(G-type) , 4.3mm / F2.0(P-type)				
Lens Angle	3.6mm / 92 Degree				
Storage Temperature	-30 to 60 Degree C				
Working Temperature	-10 to 45 Degree C				
Power Source	DC 7 ~12V				
Power Current	50mA	20mA	50mA		35mA



MO-Px50P

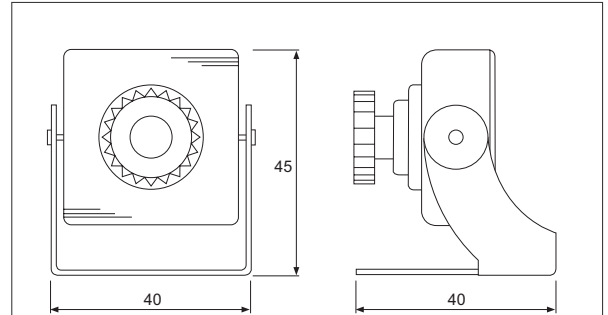


MO-Px50G

Ordering Information

MODEL	MICRO	PIN HOLE	NOTE
MO-Sx50G	3.6mm / F2.0		
MO-Sx50P-3C		3.7mm / F2.0 (CONE)	
MO-Sx50P-4C		4.3mm / F2.0 (CONE)	
MO-Sx50P-3F		3.7mm / F2.0 (FLAT)	
MO-Sx50P-4F		4.3mm / F2.0 (FLAT)	
MO-Sx50P-3T		3.1mm / F3.4 (SLIM)	
MO-Sx50P-4T		3.9mm / F3.9 (SLIM)	
NOTE:			
MO-Px50A : W/Microphone			
MO-P350: 4: 1/3" 0.2 Lux 4: 1/4" 0.5 Lux 5: 1/4" 0.2 Lux			
6: 1/3" 3 Lux 7: 1/4" 0.05 Lux			

Dimensions



Unit: mm (Approx)

Lens unit diameter and height differ for other lenses.Please inquire for details.

Other type



MS-C465
1/4" CCD INFRARED CAMERA



MS-C850
1/4" CCD CAMERA



MO-N1600