

Specification

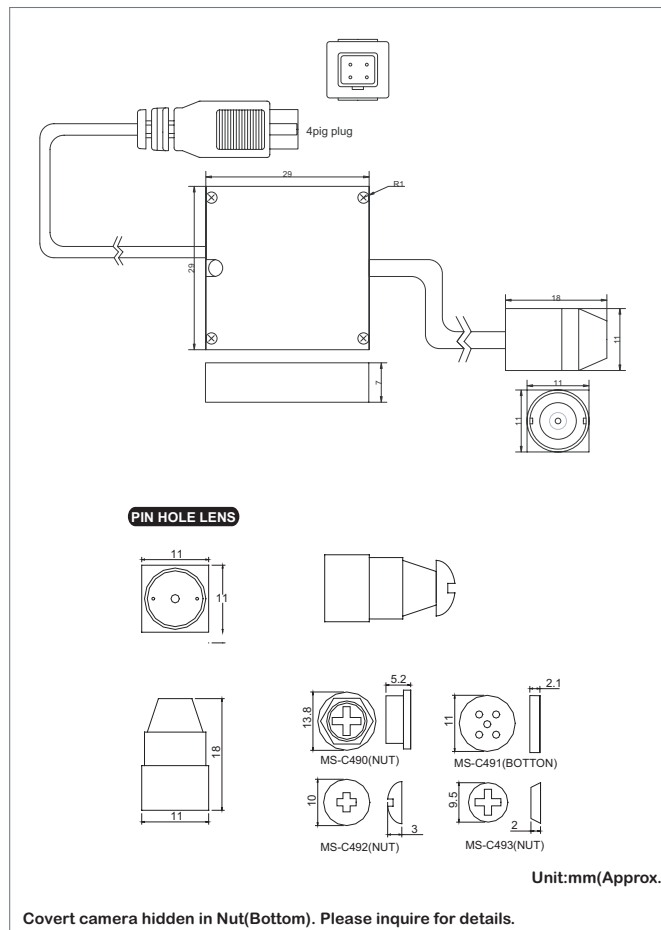
Snake CCD Camera

CCD SNAKE CAMERA				
Item NO.	MS-C490	MS-C491	MS-C492	MS-C493
Video system.	NTSC/PAL			
Number of Effective Pixels	510X492(NTSC) 500X582(PAL)			
CCD Image Sensor	1/4" Interline CCD			
Scanning System	2:1 INTERLACE			
Synchronization	INTERNAL			
Resolution (TV Lines)	350 TV LINE			
S/N Ratio	more than 48dB			
Minimum Illumination	0.2 Lux / F 1.2			
Electronic Shutter	1/50 - 1/120000			
Horizontal Sync Frequency	NTSC(EIA)-15.734kHz / PAL(CCIR)-15.625kHz			
Vertical Sync Frequency	NTSC(EIA)-60Hz / PAL(CCIR)-50Hz			
Gamma Consumption	0.45			
Video Output	1Vp-p , 75ohms Composite			
Audio Output	Frequency 20-16000Hz,S/N ratio more than 63dB SPL(at 1000Hz)(Ordering in advance)			
Audio Standard	Frequency 20-16000Hz,S/N ratio more than 58dB			
Built-In Lens	4.3mm/F2.0			
Storage Temperature	-30 to 60 Degree C			
Working Temperature	-10 to 45 Degree C			
Power Source	DC 12V(standard)			
Power Current	70mA(max)			
Dimension (mm)	Lens: 11x11x18 (By model for different), Board 29x29x7			
Cable Dimension (cm)	30			



Dimensions

Ordering Information



MODEL	MICRO	MIC	NOTE
MS-C490-4C	4.3mm / F2.0 CONE		1/4" CCD M.RES
MS-C491-4C	4.3mm / F2.0 CONE		1/4" CCD M.RES
MS-C492-4C	4.3mm / F2.0 CONE		1/4" CCD M.RES
MS-C493-4C	4.3mm / F2.0 CONE		1/4" CCD M.RES
MS-C490A-4C	4.3mm / F2.0 CONE	●	1/4" CCD M.RES
MS-C491A-4C	4.3mm / F2.0 CONE	●	1/4" CCD M.RES
MS-C492A-4C	4.3mm / F2.0 CONE	●	1/4" CCD M.RES
MS-C493A-4C	4.3mm / F2.0 CONE	●	1/4" CCD M.RES
MS-C490AD-4C	4.3mm / F2.0 CONE	●(H-S)	1/4" CCD M.RES
MS-C491AD-4C	4.3mm / F2.0 CONE	●(H-S)	1/4" CCD M.RES
MS-C492AD-4C	4.3mm / F2.0 CONE	●(H-S)	1/4" CCD M.RES
MS-C493AD-4C	4.3mm / F2.0 CONE	●(H-S)	1/4" CCD M.RES

NOTE:

1/4" CCD **M.RES.** :M: Medium resolution ; H: High resolution
MS-x490 : **C:** Color ; **B:** BW
MS-x490**A:** **A:** W/Microphone

Feature

1/4" CCD CAMERA

25cm flexible cable between the mini lens and the
the slim camera Board