

Specification

INFRARED CCD Camera

CCD INFRARED CAMERA		MS-C4R1	MS-C4R3
Item NO.		MS-C4R1	MS-C4R3
Video system.		NTSC/PAL (Color)	
Number of Effective Pixels		512x492 (NTSC) 512x582 (PAL)	
CCD Image Sensor		1/4" Color CCD IR Camera	
Scanning System		2:1 INTERLACE	
Synchronization		INTERNAL	
S/N Ratio		more than 48dB	
Dimensions (mm)	Camera	55x95 mm	
	Bracket	122x46 mm	
Resolution (TV Lines)		350 TV Lines	
Minimum Illumination		0.2Lux / F 1.2 (IR ON 0Lux/F2.0)	
Electronic Shutter		1/50 - 1/100,000	
Horizontal Sync Frequency		NTSC(EIA)-15.734kHz / PAL(CCIR)-15.625kHz	
Vertical Sync Frequency		NTSC(EIA)-60Hz / PAL(CCIR)-50Hz	
Gamma Consumption		0.45	
Video Output		1Vp-p , 75ohms Composite	
Audio Output		Frequency 20-16000Hz,S/N ratio more than 58dB (Optional)	
Storage Temperature		-30 to 60 Degree C	
Working Temperature		-10 to 45 Degree C	
Power Source		DC 12V(standard)	
Power Current		150mA(max)	
Infrared Illuminator		12 LED	
		249g	294g
		Day (color) and night (B/W infrared)	



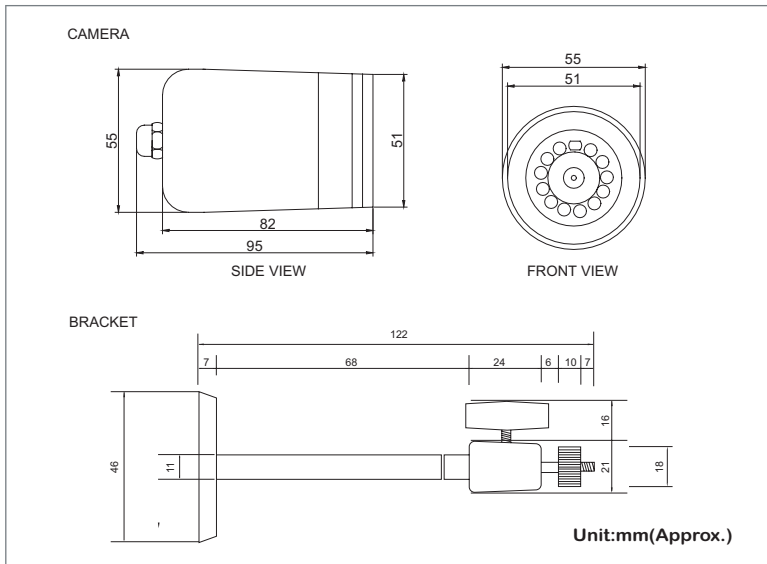
MS-C4R1



MS-C4R3

Dimensions

Feature



Weatherproof 1/4" CCD color IR camera day & night.

Use wherever CCD cameras are used to provide day/night operation.

Designed for Fixed or Pan/Tilt Mounts. Optional Sun Shade.

Impact and tamper resistant.

Wall mount (Horizontal 360 degree & Vertical 180 degree)

Ceiling mount (Horizontal 360 degree & Vertical 180 degree)

12 LED Infrared Illuminator

With Anti-IR focus distortion technology built-in

other type



MO-N600

Captured By

DAY (color)



NIGHT (B/W infrared)

