

**Specification**

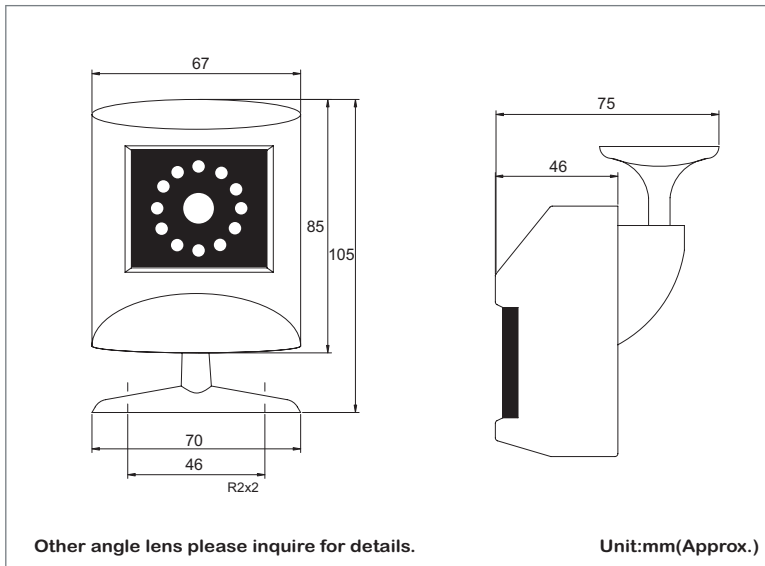
**INFRARED CCD Camera**

CCD INFRARED CAMERA	
Item NO.	MS-C465AR
Video system.	NTSC/PAL
Number of Effective Pixels	512x492 (NTSC) 512x582 (PAL)
CCD Image Sensor	1/4" Color CCD IR Camera
Scanning System	2:1 INTERLACE
Synchronization	INTERNAL
S/N Ratio	more than 48dB
Dimensions(mm)	67x85x46 mm
Resolution (TV Lines)	350 TV Lines
Minimum Illumination	0.5Lux / F1.4(Day) & 0Lux /F1.4(Night by Led)
Electronic Shutter	1/50 - 1/100,000
Built-Lens	3.6mm/F2.0
Horizontal Sync Frequency	NTSC(EIA)-15.734kHz / PAL(CCIR)-15.625kHz
Vertical Sync Frequency	NTSC(EIA)-60Hz / PAL(CCIR)-50Hz
Gamma Consumption	0.45
Video Output	1Vp-p , 75ohms Composite
Audio Output	Frequency 20-16000Hz,S/N ratio more than 58dB (Optional)
Storage Temperature	-30 to 60 Degree C
Working Temperature	-10 to 45 Degree C
Power Source	DC 12V(standard)
Power Current	150mA(max) / IR ON-235mA(max)
Infrared Illuminator	12 LED
Weight	90g
Day (color) and night (B/W infrared)	



**MS-C465AR**

**Dimensions**



**Feature**

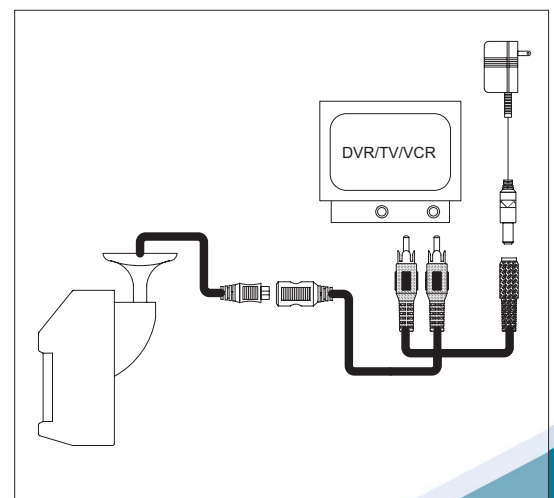
Use wherever CCD cameras are used to provide day/night operation.

Day illumination : 0.5Lux at F1.4  
Night illumination : 0Lux at F1.4

12 LED Infrared Illuminator

With Anti-IR focus distortion technology built-in

**Instruction Drawing**



**Captured By**

**DAY** (color)



**NIGHT** (B/W infrared)

