

Specification		CCD Hidden Camera					
Model		MS-345	MS-645	MS-445	MS-845	MS-1645	MS-1345
Video system		NTSC / PAL (COLOR) & EIA / CCIR (B/W)				NTSC / PAL(COLOR)	
Number of effective pixels	NTSC(EIA)	510 x 492	768 x 494	510 x 492	768 x 494	771 x 492	512 x 492
	PAL(CCIR)	500 x 528	752 x 582	500 x 528	752 x 582	512 x 492	512 x 582
Image sensor		1/3" Interline CCD		1/4" Interline CCD		1/3" Interline CCD	
Resolution(TV Lines)	COLOR	380	470	350	470	520	370
	B/W	420	570	420	570	/	/
S/N Ratio		more than 48dB				more than 50dB	
AGC control		more than +27dB					
Minimum illumination		0.2 LUX (Color) / 0.02 LUX (B/W)				0.25LUX	
Electronic shutter		1/50 - 1/120,000					
Horizontal sync frequency		NTSC(EIA)-15.734kHz / PAL(CCIR)-15.625kHz					
Vertical sync frequency		NTCS(EIA)-60Hz / PAL(CCIR)-50Hz					
Camera consumption		0.45					
Video output		1Vp-p , 75ohm composite					
Audio output		Frequency 20-16,000Hz , S/N ratio more than 58 SPL(at 1000Hz)(Ordering in advance)					
Built-in lens		3.6mm / F2.0					
Lens angle		3.6 mm / 95 Degree		3.6 mm / 77 Degree		3.6 mm / 95 Degree	
Power source		DC 12V(Standard)					
Power current		120 mA				160 mA	
Dimension (mm)		130 x 60 (mm)					

Ordering Information

MODEL	COLOR or B/W	S/N Ratio	MIC
MS-C345	1/3" COLOR	more than 48dB	
MS-B345	1/3" B/W	more than 48dB	
MS-C645	1/3" COLOR	more than 48dB	
MS-B645	1/3" B/W	more than 48dB	
MS-C445	1/4" COLOR	more than 48dB	
MS-B445	1/4" B/W	more than 48dB	
MS-C845	1/4" COLOR	more than 48dB	
MS-B845	1/4" B/W	more than 48dB	
MS-1345	1/3" COLOR	more than 50dB	
MS-1645	1/3" COLOR	more than 50dB	
MS-C345A	1/3" COLOR	more than 48dB	
MS-B345A	1/3" B/W	more than 48dB	
MS-C645A	1/3" COLOR	more than 48dB	
MS-B645A	1/3" B/W	more than 48dB	
MS-C445A	1/4" COLOR	more than 48dB	
MS-B445A	1/4" B/W	more than 48dB	
MS-C845A	1/4" COLOR	more than 48dB	
MS-B845A	1/4" B/W	more than 48dB	
MS-1345A	1/3" COLOR	more than 50dB	
MS-1645A	1/3" COLOR	more than 50dB	

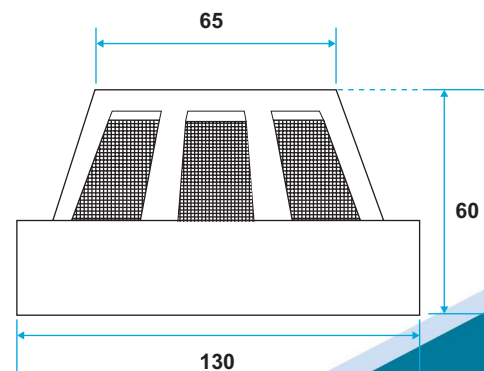
Feature

Ultra-Low-illumination.
Digital Noise Reducer (DNR) - MO-1645 , MO-1345
Mirror function: ordering in advance.
Automatic Compensation by Digital Noise Reducer.
SONY COLOR CCD Image Sensor

CCD Hidden Camera



Dimension



Unit: mm (Approx)