

Specification

Snake CCD Camera

OPTICAL FIBER CCD SNAKE CAMERA		
Item NO.	SS-3427	SS-3433
Video system.	NTSC/PAL	
Number of Effective Pixels	510X492(NTSC)	
	500X582(PAL)	
Optical Fiber pixel	7400V	
CCD Image Sensor	1/4" Interline CCD	
Synchronization	INTERNAL	
Resolution (TV Lines)	350 TV LINE	
S/N Ratio	more than 48dB	
Minimum Illumination	0.2Lux / F 1.2	
Electronic Shutter	1/50 - 1/120000	
Horizontal Sync Frequency	NTSC(EIA)-15.734kHz / PAL(CCIR)-15.625kHz	
Vertical Sync Frequency	NTSC(EIA)-60Hz / PAL(CCIR)-50Hz	
Gamma Consumption	0.45	
Video Output	1Vp-p , 75ohms Composite	
Audio Output	Frequency 20-16000Hz,S/N ratio more than 58dB SPL(at 1000Hz))(Ordering in advance)	
Lens Mount	C & CS	
Storage Temperature	-30 to 60 Degree C	
Working Temperature	-10 to 45 Degree C	
Power Source	DC 12V(standard)	
Power Current	80mA(max)	
Optical Fiber Cable Length	80 cm	
Optical Fiber Cable Diameters	∅ 2.2mm	
Optical Fiber Lens Diameters	5X ∅ 3.8mm	



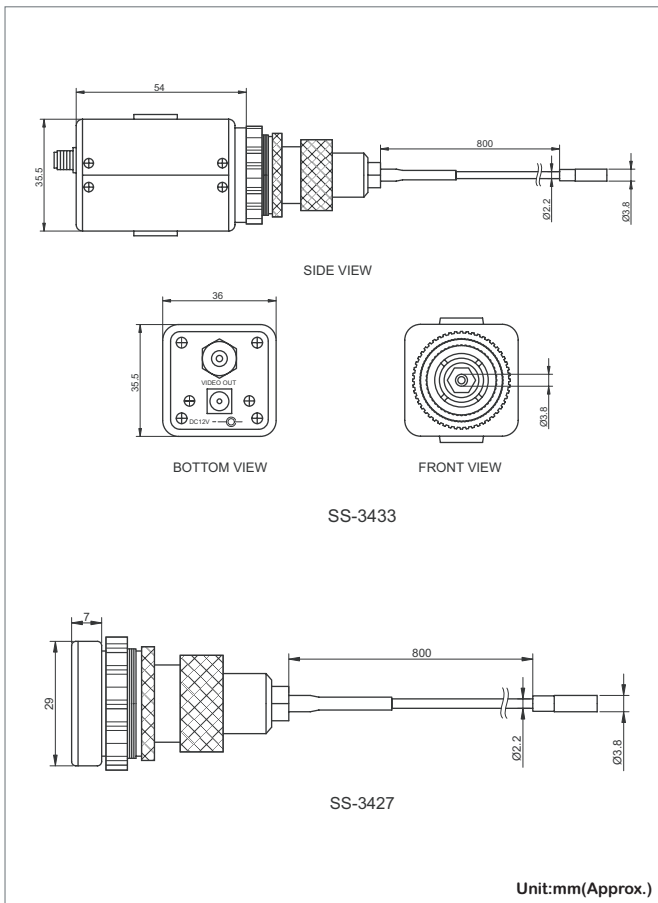
SS-3433



SS-3427

Dimensions

Feature



- Auto white balance.**
- 1/4" Color CCD Camera.**
- Optical Fiber CCD Snake Camera**
- Optical Fiber Pixel:7400V**
- Optical Fiber Cable Length: 80 cm**