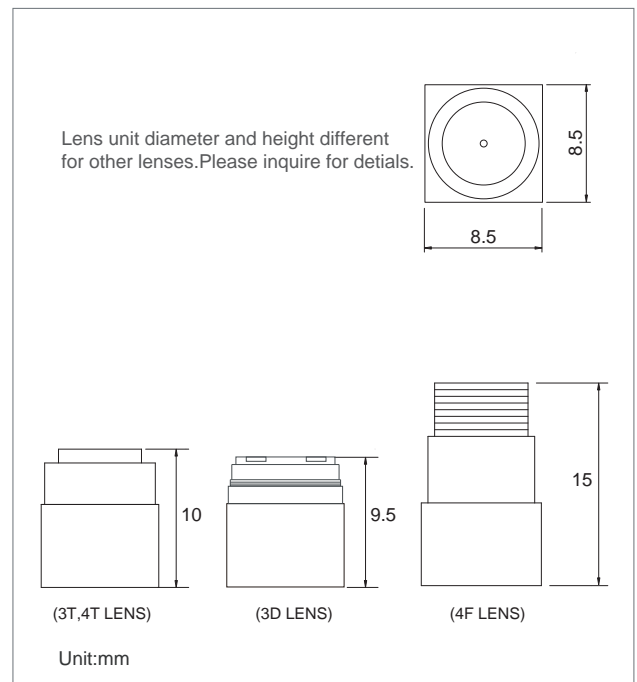


Item NO.		MO-S408	MO-S788
		EIA/CCIR	EIA Only
Number of Effective Pixels	NTSC(EIA)	320 x 240	510 x 492
	PAL(CCIR)	352 x 288	
CMOS Image Sensor		1/4" B/W	1/4" B/W
Scanning System	2:1 INTERLACE		
Synchronization	INTERNAL		
Resolution (TV Lines)		240	380
S/N Ratio	more than 48dB		
Minimum Illumination		0.5 Lux / F 1.4	0.05 Lux / F 1.2
Electronic Shutter		1/50 - 1/6,000	1/50 - 1/63,000
Horizontal Sync Frequency	EIA-15.734kHz / CCIR-15.625kHz		
Vertical Sync Frequency	EIA-60Hz / CCIR-50Hz		
Gamma Consumption	0.45		
Video Output	1Vp-p , 75ohms Composite		
Audio Output	Frequency 20-16000Hz,S/N ratio more than 58dB SPL(at 1000Hz))(Ordering in advance)		
Storage Temperature	-30 to 60 Degree C		
Working Temperature	-10 to 45 Degree C		
Power Source	DC 7-12V		
Power Current	50mA(max)		
Dimension(mm)	8.5x8.5		

**Ordering Information**

MODEL	LENS	MIC	VIDEO SYSTEM
MO-S408-3D	3.9 / F2.8 (Flat)		CCIR / EIA
MO-S408-4F	4.0 / F2.0 (Flat)		
MO-S408-3T	3.4 / F3.4 (Slim)		
MO-S408-4T	3.9 / F3.9 (Slim)		
MO-S408A-xx		●	
MO-S788-3D	3.9 / F2.8 (Flat)		EIA Only
MO-S788-4F	4.0 / F2.0 (Flat)		
MO-S788-3T	3.4 / F3.4 (Slim)		
MO-S788-4T	3.9 / F3.9 (Slim)		
MO-S788A-xx		●	

**Dimensions**



MO-Sx88-3T



MO-Sx88-3D



MO-Sx88-4F