

Unit : mm (± 0.5)

**Feature**

- CCIQ ▶ Challenge CCD Image Quality
- Hi Resolution up to 400 TV Lines.
- Compact size.
- Backlight compensation.
- High Quality Picture.
- High Performance.
- Outstanding Quality!
- Competitive Price!

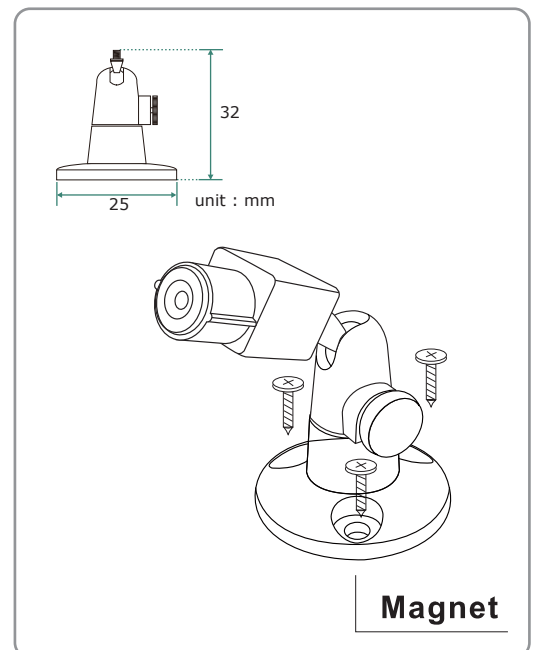
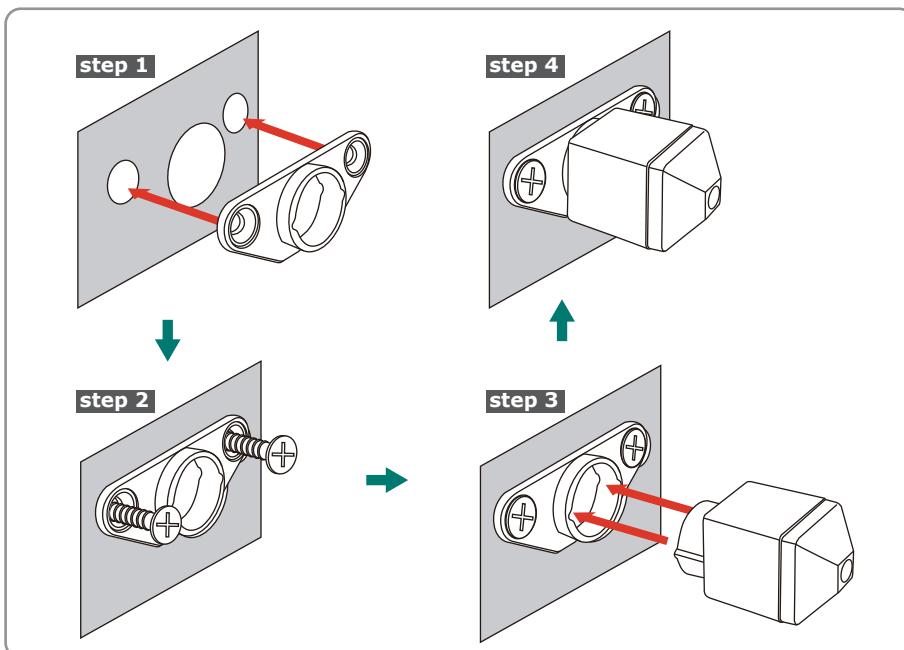
**Specification**

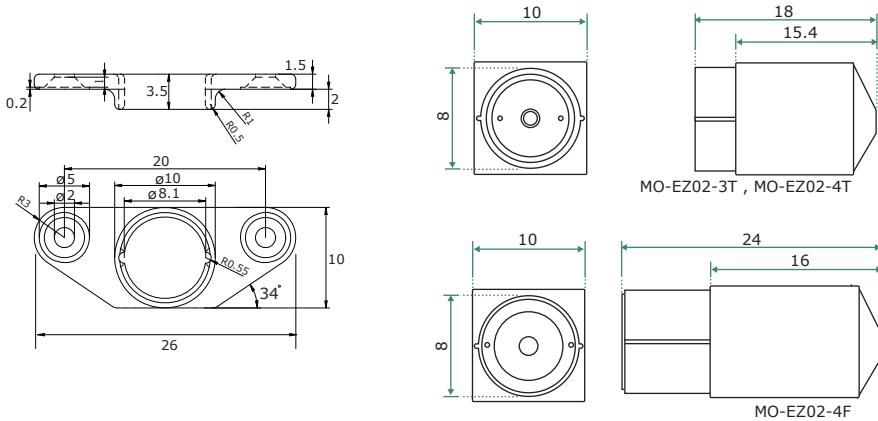
Model	MO-EZ01-4F	MO-EZ01-3T	MO-EZ01-4T
Video system	NTSC Only		
Number of effective pixels	656 x 492 (320K)		
Image sensor	1/4" Color CMOS Camera (CCIQ)		
Resolution(TV Lines)	400 TV Lines		
S/N Ratio	more than 48dB		
Minimum illumination	1 LUX / F1.2		
Electronic shutter	1/60-1/20,0000 Sec.		
Horizontal sync frequency	NTSC(EIA) - 15.734kHz		
Vertical sync frequency	NTSC(EIA) - 60Hz		
Camera consumption	0.45		
Video output	1Vp-p , 75ohm composite		
Storage temperature	-30 to 60 Degree C		
Working temperature	-10 to 45 Degree C		
Built-in Lens	4.0mm/F2.0	3.1mm/F3.4	3.9mm/F3.9
Power source	DC 5~12 V(Standard)		
Power current	60 mA		
Dimensions(mm)	10 X 10 X 24	10 X 10 X 18	



▲ MO-EZ01-4F

▲ MO-EZ01-3T  
MO-EZ01-4T





Unit : mm (± 0.5)

## Feature

- CCIQ** ▶ Challenge CCD Image Quality
- Hi Resolution up to 400 TV Lines.
- Compact size.
- Backlight compensation.
- High Quality Picture.
- High Performance.
- Outstanding Quality!
- Competitive Price!

## Specification

Model	MO-EZ02-4F	MO-EZ02-3T	MO-EZ02-4T
Video system	NTSC / PAL		
Number of effective pixels	648 x 488 (NTSC / PAL)		
Image sensor	1/4" Color CCIQ II Camera		
Resolution(TV Lines)	400 TV Lines		
S/N Ratio	more than 50dB		
Minimum illumination	0.1 LUX / F1.2		
Image transfer rate	60 field/sec (NTSC) , 50 field/sec (PAL)		
Horizontal sync frequency	NTSC(EIA) -15.734kHz , PAL(CCIR)-15.625kHz		
Vertical sync frequency	NTSC(EIA) - 60Hz , PAL(CCIR) - 50Hz		
Camera consumption	0.45		
Video output	1Vp-p , 75ohm composite		
Storage temperature	-30 to 60 Degree C		
Working temperature	-10 to 45 Degree C		
Built-in Lens	4.0mm/F2.0	3.1mm/F3.4	3.9mm/F3.9
Power source	DC 5~12 V(Standard)		
Power current	50 mA		
Dimensions(mm)	10 X 10 X 24	10 X 10 X 18	



▲ MO-EZ02-4F

▲ MO-EZ02-3T  
MO-EZ02-4T

