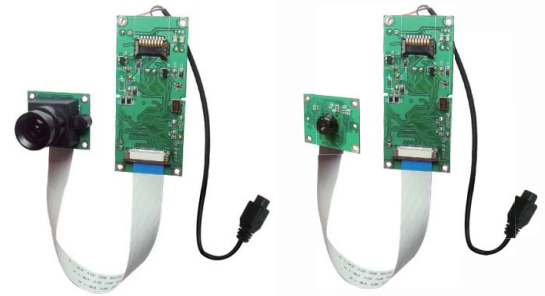


- ### Feature
- Motion Detect + DVR + video camera
  - Live video output
  - Compact size.
  - High Quality Picture.
  - Motion detect capture
  - Support SDHC (support up to 32 GB)

## Specification

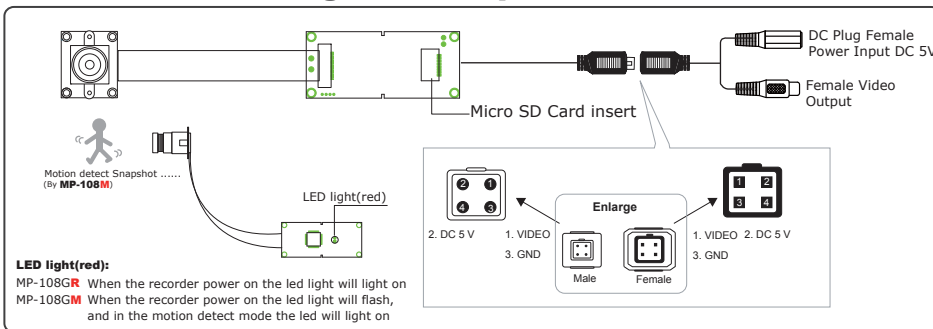
Model	MP-108GM-4G	MP-108PM-4G	MP-108GR-4G	MP-108PR-4G
Snapshot	3~5 Picture /sec.			
External Memory	SD Card memory slot (support up to 16 GB)			
Snapshot	640 X 480 JPG IMAGE			
Minimum Illumination	0.1 Lux			
Recording Mode	Motion detect Snapshot RTC date and time stamping		RTC date and time stamping	
Built-in Lens	3.7mm / F 2.0 (G-Type Lens)	3.9mm / F 2.8 (3D Lens)	3.7mm / F 2.0 (G-Type Lens)	3.9mm / F 2.8 (3D Lens)
Power Supply	DC 5V			
Power Current	300 mA			
Dimension	main board 26 x 60 mm , sensor board 22 x 26 mm			



MP-108G

MP-108P

## Instruction Drawing & Description



## Other information

### NEW !! MP-1122

- Motion detect Snapshot
- RTC date and time stamping
- 640 X 480 JPG IMAGE
- SD Card memory slot (support up to 16 GB)



## Ordering information

Model	LENS	Motion detect Snapshot
MP-108GM-4G	3.7mm/F2.0	●
MP-108PM-4G	3.9mm/F2.8	●
MP-108GR-4G	3.7mm/F2.0	x
MP-108PR-4G	3.9mm/F2.8	x
MP-108GM-8G	3.7mm/F2.0	●
MP-108PM-8G	3.9mm/F2.8	●
MP-108GR-8G	3.7mm/F2.0	x
MP-108PR-8G	3.9mm/F2.8	x
MP-108GM-16G	3.7mm/F2.0	●
MP-108PM-16G	3.9mm/F2.8	●
MP-108GR-16G	3.7mm/F2.0	x
MP-108PR-16G	3.9mm/F2.8	x

### NOTE

MP-108GM-4G G:G-type Lens  
MP-108PM-4G P:Pin hole Lens(3D)