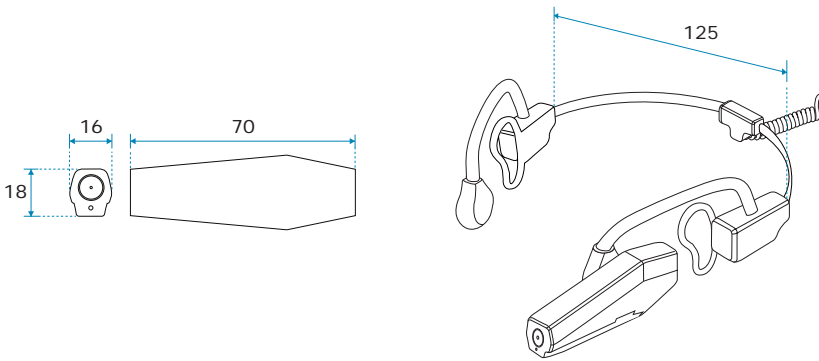


Feature

- Hi Resolution up to 520 TV Lines.
- Built - in microphone
- Compact size.
- Backlight compensation.
- High Quality Picture.
- High Performance.
- Outstanding Quality!
- Competitive Price!



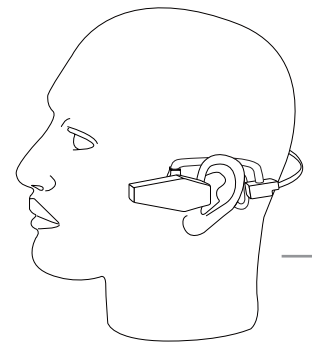
Unit : mm (±0.5)

Specification

Model	ST-101
Video system	NTSC & PAL
Number of effective pixels	768 x 494 (NTSC) / 752 x 582 (PAL)
Image sensor	1/4" Color CCD Headset OSD Camera
Resolution(TV Lines)	520 TV Lines
S/N Ratio	more than 48dB
Minimum illumination	0.2 LUX / F1.2
Shutter Speed	1/50-1/100,000 Sec.
Horizontal sync frequency	(NTSC) - 15.734kHz, (PAL) - 15.625kHz
Vertical sync frequency	(NTSC) - 60Hz, (PAL) - 50Hz
Camera consumption	0.45
Video output	1Vp-p, 75ohm composite
Audio output	20-16000Hz, S/N more than 58dB (Optional)
Built in - Lens	3.7mm / F 2.0
Storage temperature	-30 to 60 Degree C
Working temperature	-10 to 45 Degree C
Power source	DC 5 - 12V (Standard)
Power current	80 mA

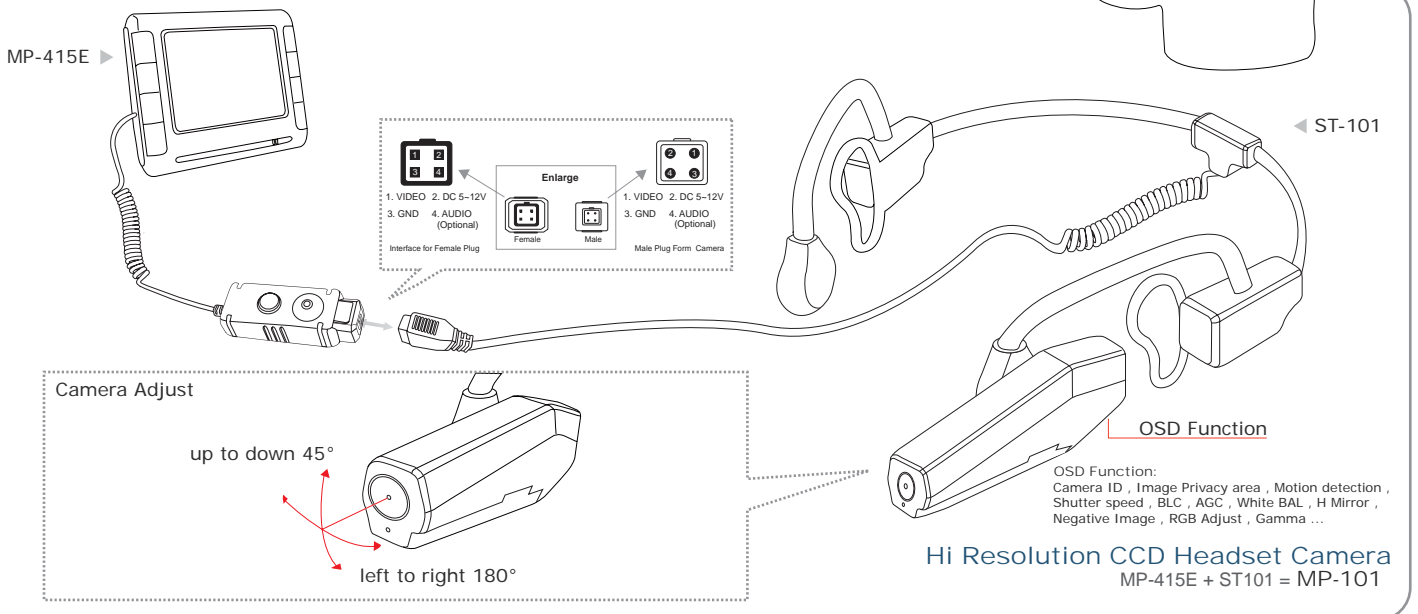


▲ ST-101



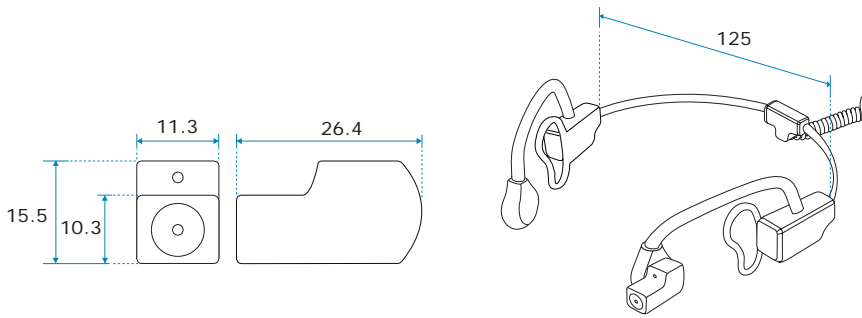
◀ ST-101

Ordering Information



Feature

- Hi Resolution up to 400 TV Lines.
- Built - in microphone
- Compact size.
- Backlight compensation.
- High Quality Picture.
- High Performance.
- Outstanding Quality!
- Competitive Price!



Unit : mm (±0.5)

Specification

Model	ST-3501
Video system	NTSC & PAL
Number of effective pixels	648 x 488 (NTSC & PAL)
Image sensor	1/4" Color CCIQ II Headset Camera
Resolution(TV Lines)	400 TV Lines
S/N Ratio	more than 50dB
Minimum illumination	0.1 LUX / F1.2
Image transfer rate	60 field/sec (NTSC) , 50 field/sec (PAL)
Horizontal sync frequency	(NTSC)- 15.734kHz , (PAL)- 15.625kHz
Vertical sync frequency	(NTSC) - 60Hz , (PAL) - 50Hz
Camera consumption	0.45
Video output	1Vp-p , 75ohm composite
Audio output	20-16000Hz,S/N more than 58dB (Optional)
Built in - Lens	3.9mm / F 2.8
Storage temperature	-30 to 60 Degree C
Working temperature	-10 to 45 Degree C
Power source	DC 5 - 12V (Standard)
Power current	50 mA



▲ ST-3501

Ordering Information

