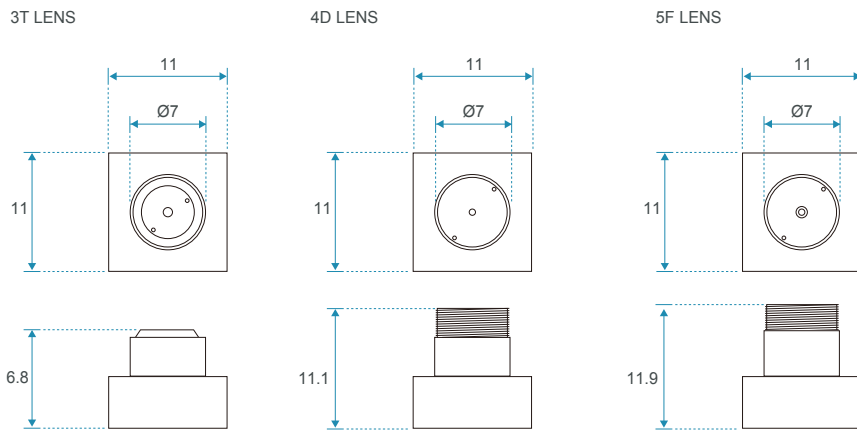


Body Type



unit : mm (±0.5)

Feature

- High Sensitivity!
- High Performance.
- 1/3" CCIQ III Color
- 728 x 488 Pixel
- Compact size

Specification

Model	MO-S3610
Video system	NTSC / PAL
Number of effective pixels	728 x 488 (NTSC & PAL)
Image sensor	1/3" CCIQ III Color Camera
Resolution(TV Lines)	420 TV Lines
S/N Ratio	46.4 dB
Dynamic range	46.4 [dB]
Sensor scan mode	progressive scan
Minimum illumination	0.05Lux /F 1.2 20IRE
Frame Rate	60 Field/sec(NTSC) , 50 Field/sec(PAL)
Sensitivity	13.8 V/Lux.sec
Horizontal sync frequency	NTSC -15.734kHz , PAL - 15.625kHz
Vertical sync frequency	NTSC - 60Hz , PAL - 50Hz
Camera consumption	0.45
Video output	1Vp-p , 75ohm composite
Storage temperature	-30 to 60 Degree C
Working temperature	-10 to 45 Degree C
Power source	Camera input: DC 5~12V
Power current	80 mA(max)-DC12V
Dimension (mm)	11 x 11 mm



MO-S3610-3T



MO-S3610-5F



MO-S3610-4D

Other information

MODEL	Built-in Lens	MICROPHONE
MO-S3610-3T	3.1mm/F3.4	W/O MIC.
MO-S3610-4D	4.8mm/F4.5	W/O MIC.
MO-S3610-5F	5.0mm/F3.5	W/O MIC.
MO-S3610A-3T	3.1mm/F3.4	W/ MIC.
MO-S3610A-4D	4.8mm/F4.5	W/ MIC.
MO-S3610A-5F	5.0mm/F3.5	W/ MIC.

note:

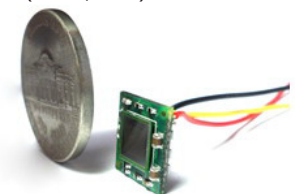
MO-S3610A ▲ ▲: W/MIC.

Other information

MO-B3610

- 1/3" CCIQ III
- Ultra slim :2.3mm ONLY

1/3" Color CCIQ II Camera
Pixel : 728 x 488 (NTSC / PAL)
420 TV Lines



Ultra Slim