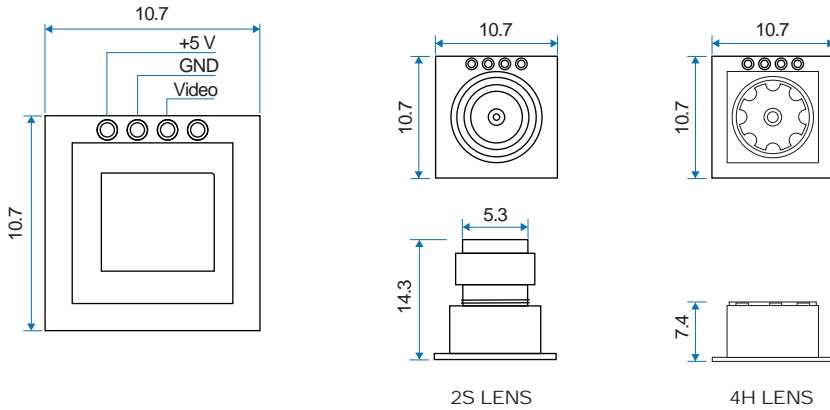


Board Type



Feature

- The smallest cam of the world
- Compact size.
- 10.7x10.7 mm Only !!
- High Performance.
- Outstanding Quality!
- Competitive Price!

Specification

Unit : mm (± 0.5)

| | |
|----------------------------|--|
| Model | MO-B2511 |
| Video system | NTSC / PAL |
| Number of effective pixels | 648 x 488(NTSC & PAL) |
| Image sensor | 1/4" CCIQ II Color Camera |
| Resolution(TV Lines) | 400 TV Lines |
| S/N Ratio | more than 50dB |
| scan mode | progressive |
| Minimum illumination | 0.6 Lux/F1.2 |
| frame rate | 60 field/sec (NTSC) , 50 field/sec (PAL) |
| Horizontal sync frequency | NTSC(EIA) -15.734kHz , PAL(CCIR) - 15.625kHz |
| Vertical sync frequency | NTSC(EIA) - 60Hz , PAL(CCIR) - 50Hz |
| Camera consumption | 0.45 |
| Video output | 1Vp-p , 75ohm composite |
| Storage temperature | -30 to 60 Degree C |
| Working temperature | -10 to 45 Degree C |
| Power source | Camera :DC 3.3~5 V |
| Power current | 100 mA-max(DC 5V) |
| Dimension (mm) | Senor board : 10.7x10.7 (mm) |



MO-B2511-4H ▶



MO-B2511-2S ▶

Ordering Information

| MODEL | Built-in Lens | Mainboard Output |
|-------------|-------------------------------|------------------|
| MO-B2511-4H | 4.5mm/F2.8 | 3 Wire out |
| MO-B2511-2S | 2.1mm/F2.5 (super wide Angle) | 3 Wire out |

NOTE

MO-B2511A A: W/ MIC.

Other Information

- Ultra Mini Camera
- Diameter : 4.8mm only
- 1/8" CCIQ II Color

MO-B0804

1/8" Color CCIQ II
Pixel : 656 x 496 (N/P)
Resolution (TV Lines) : 400 TV Lines
Shutter Speed : 30 fps.
Minimum Illuminator : 1 LUX
size : (D)4.8 mm only

