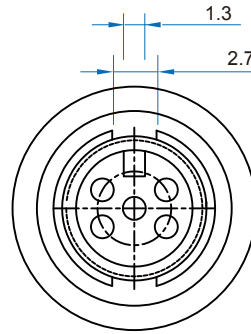
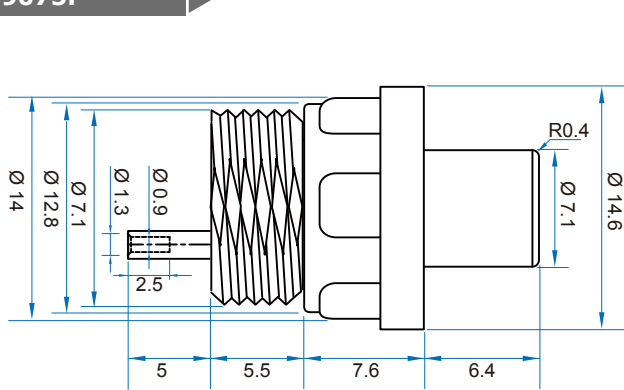


5 PIN connector

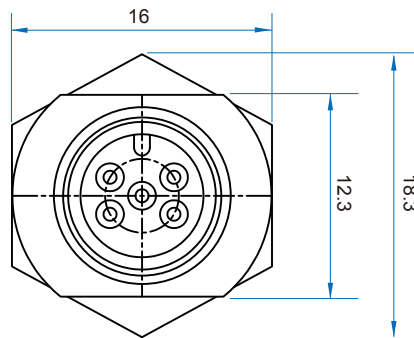
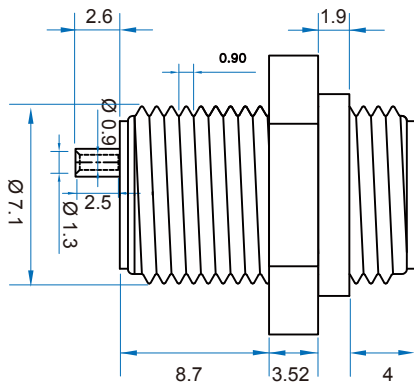
MS-9075F



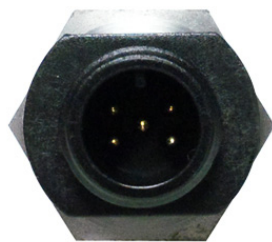
Feature

- Water proof IP 68

MS-9075M



UNIT: ± 0.2 mm



MS-9075M



MS-9075F