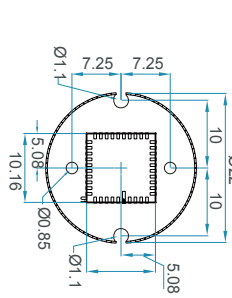
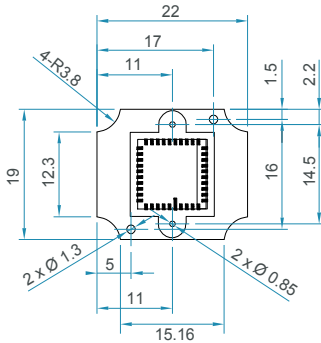


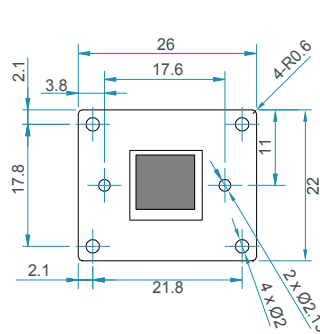
MO-B8622



MO-B8619



MO-B8626



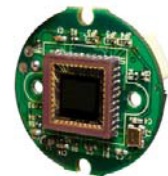
Feature

- Compact size.
- Hi Resolution up to 710 TV Lines.
- High Performance.
- Outstanding Quality!
- Competitive Price!

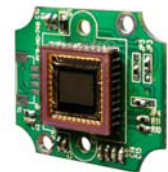
Specification

Unit : mm (± 0.5)

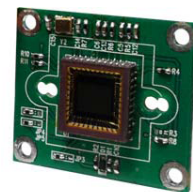
Model	MO-B8622	MO-B8619	MO-B8626
Video system	NTSC / PAL		
Number of effective pixels	976 (H) x 496(V) (NTSC & PAL)		
Effective Image Area	4.88 mm x 3.67 mm (Diagonal : 6.1 mm)		
Pixel Size	5.00 um x 7.40 um		
Image sensor	1/3" Color CCIQ III 960H Camera		
Resolution(TV Lines)	710 TV Line over (NTSC) , 740 TV Line over (PAL)		
S/N Ratio	46.4 dB		
Dynamic range	63.5 [dB]		
Sensor scan mode	Interlaced 60 fields		
Minimum illumination	0.05Lux at F1.2 20IRE		
Shutter Speed	1/60~1/200,000 (NTSC) , 1/50~1/170,000 (PAL)		
Sensitivity	11.4 [V/Lux.sec]		
Horizontal sync frequency	NTSC -15.734kHz , PAL - 15.625kHz		
Vertical sync frequency	NTSC - 60Hz , PAL - 50Hz		
Camera consumption	0.45		
Video output	1Vp-p , 75ohm composite		
Storage temperature	-30 to 60 Degree C		
Working temperature	-10 to 45 Degree C		
Power source	Camera input: DC 5~12V		
Power current	50~70mA@DC12.0V 110~130mA@DC5.0V		
Dimension (mm)	Ø22 mm	19 x 22 mm	22 x 26 mm



▲ MO-B8622



▲ MO-B8619



▲ MO-B8626

Ordering Information

Model	Built-in Lens	Microphone	Model	Built-in Lens	Microphone
MO-B86XX-3C	3.7mm/F2.0	N/A	MO-B86XXA-3C	3.7mm/F2.0	with Microphone
MO-B86XX-4C	4.3mm/F2.0		MO-B86XXA-4C	4.3mm/F2.0	
MO-B86XX-3F	3.7mm/F2.0		MO-B86XXA-3F	3.7mm/F2.0	
MO-B86XX-4F	4.3mm/F2.0		MO-B86XXA-4F	4.3mm/F2.0	
MO-B86XX-3T	3.1mm/F3.4		MO-B86XXA-3T	3.1mm/F3.4	
MO-B86XX-4T	3.9mm/F3.9		MO-B86XXA-4T	3.9mm/F3.9	
MO-B86XX-3G	3.6mm/F2.0		MO-B86XXA-3G	3.6mm/F2.0	

MO-B86XXA
 A: W/MIC.