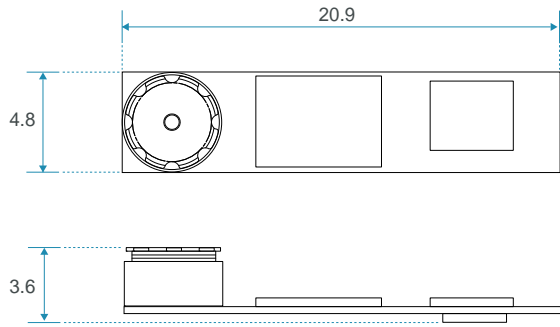


**Board Type**



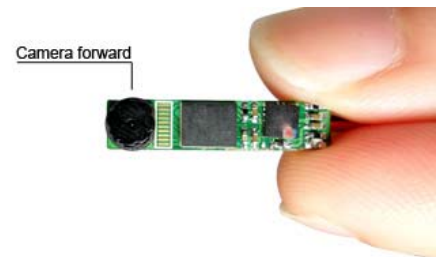
**Feature**

- High Sensitivity!
- High Performance.
- 1/8" CCIQ III Color
- Ø 4.8 mm only
- 648 x 488 Pixel

**Specification**

unit : mm (±0.5)

| Model                      | MO-BL8F4                           | MO-BL8S4 |
|----------------------------|------------------------------------|----------|
| Pixel size                 | 2.8 um x 2.8um                     |          |
| Effective Image Area       | 1.814 mm x 1.366 mm                |          |
| Video system               | NTSC / PAL                         |          |
| Number of effective pixels | 648 x 488 (NTSC/PAL)               |          |
| Image sensor               | 1/8" CCIQ III Color Camera         |          |
| Resolution(TV Lines)       | 400 TV Lines                       |          |
| S/N Ratio                  | 40.8 [dB]                          |          |
| Dynamic range              | 60.3 [dB]                          |          |
| Sensor scan mode           | progressive scan                   |          |
| Minimum illumination       | 1LUX / F1.2                        |          |
| Max. Frame Rate            | 30 fps.                            |          |
| Sensitivity                | 1.06 [V/Lux.sec]                   |          |
| Horizontal sync frequency  | NTSC - 15.734kHz , PAL - 15.625kHz |          |
| Vertical sync frequency    | NTSC - 60Hz , PAL - 50Hz           |          |
| Camera consumption         | 0.45                               |          |
| Video output               | 1Vp-p , 75ohm composite            |          |
| Built - lens               | 1.498mm/ F3.2                      |          |
| Storage temperature        | -30 to 60 Degree C                 |          |
| Working temperature        | -10 to 45 Degree C                 |          |
| Power source               | DC 3.3V                            |          |
| Power current              | 130 mA(max)                        |          |
| Dimension (mm)             | (D) 4.8 x 20.9 (mm)                |          |



MO-BL8F4 ,MO-BL8S4

**Other information**

| Model               | LED Light     | AGC                                       |
|---------------------|---------------|---|
| MO-BL8F4            | W/O           | AGC 8X<br>(for Endoscope application)     |
| MO-BL8F4K           | W/O           |   |
| MO-BL8F4L           | White LED x 4 |   |
| MO-BL8F4LK          | White LED x 4 |   |
| MO-BL8S4            | W/O           | AGC 32X<br>(for Surveillance application) |
| MO-BL8S4K           | W/O           |   |
| MO-BL8S4L           | White LED x 4 |   |
|                     | White LED x 4 |   |
| MO-BL8S4LK K: 15fps |               |   |
| MO-BL8S4L 30fps     |               |   |

**Other information**

**MO-B1003**

- 1/10" CCIQ II
  - Lens : 2.5 mm Only !!
- 1/10" Color CCIQ II Camera  
Pixel : 400 x 400 (NTSC / PAL )  
Sensor board: (D)2.5 x 5 (mm)  
+  
Main board: 70 x 15(mm)

