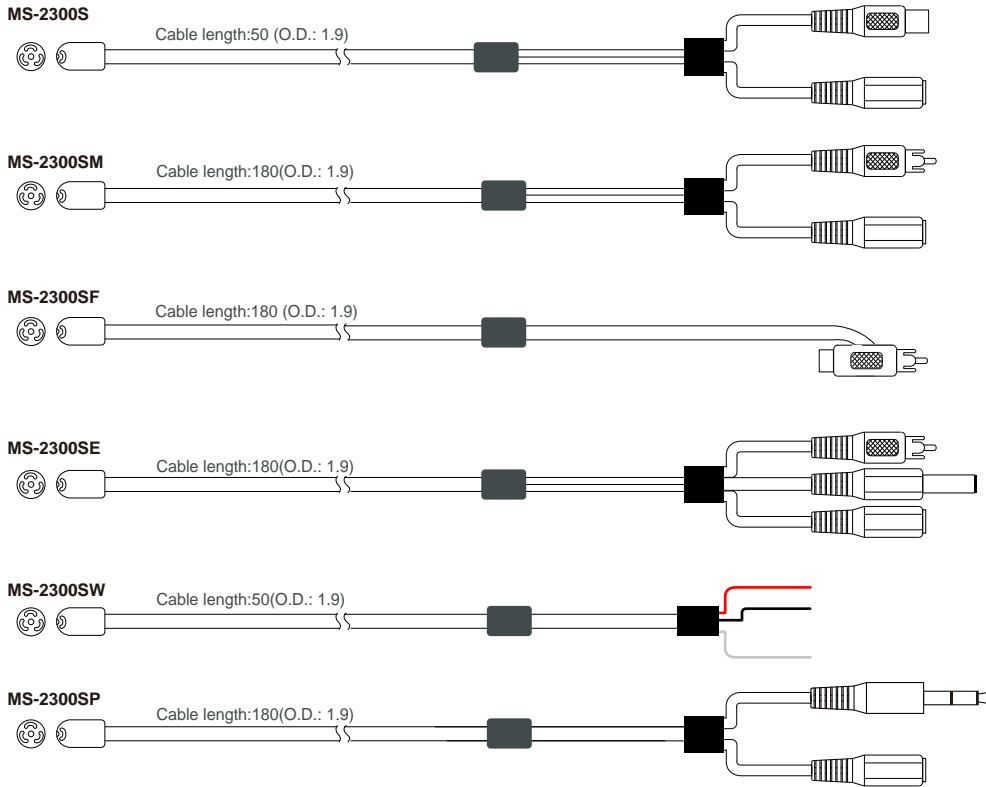
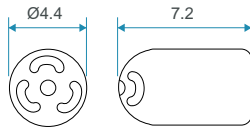


mini MIC.



Feature

- High Sensitivity!
- Super tiny and power save microphone
- The microphone anti-noise waveforms can completely eliminate noise.
- Compact size



MS-2300

Specification

unit : mm (±0.2)

Model	MS-2300S	MS-2300SF	MS-2300SM	MS-2300SE	MS-2300SW	MS-2300SP
Frequency	20-10000Hz					
S/N Ratio	Maximun 63dB SPL (at 1,000HZ)					
Impedance	150 ohms ±20%(at 1000 Hz)					
Power Source	DC 3.8~12V (30mA-max)					
Dimension	(D)4.4 x 7.2 mm					

Other information

MS-3500

■ GAIN CONTROL VALUE CHANGEABLE

Frequency: 20 -16000Hz
S/N Ratio: more than 58dB
Impedance: 150 ohms ±20%(at 1000 Hz)
Sensitivity: -44dB ±3dB(at 1,000Hz)
Dimension : 6X18X4 mm



MS-6300W

■ MINI MICROPHONE

Frequency: 20 -16000Hz
S/N Ratio: more than 58dB
Impedance: 150 ohms ±20%(at 1000 Hz)
Power : DC 7~12V
Dimensions: 6x18x3.5 mm

