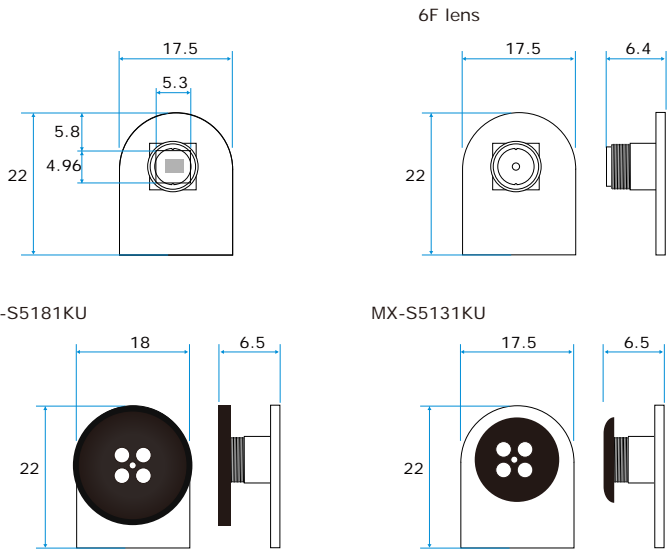


Tube Type



- Feature**
- High Sensitivity!
 - High Performance & Super low light.
 - Spy camera + IR LED
 - 550 TV lines
 - Compact size

Specification

unit : mm (±0.5)

Model	MX-S5117KU	MX-S5131KU	MX-S95181KU	MX-S7117KU	MX-S7131KU	MX-S97181KU
LED	optional	N/A	IR 940nm	optional	N/A	IR 940nm
Video system	NTSC / PAL			EIA / CCIR		
Image sensor	1/11"(1/6" sensor crop) CCIQIII color			1/11"(1/6" sensor crop) CCIQIII B/W		
Resolution(TV Lines)	480 TV Lines			550 TV Lines		
Number of effective pixels	720 x 480 (NTSC/EIA & PAL/CCIR)					
S/N Ratio	38 [dB]					
Max Dynamic Range	58 [dB]					
Sensor scan mode	progressive scan					
Minimum illumination	0.02 Lux/ F1.2 (0.5 Lux / 74.5IRE, 15 fps)					
Sensitivity	0.5[V/Lux.sec]					
Frame Rate	15 fps					
Horizontal sync frequency	NTSC/EIA -15.734kHz , PAL/CCIR - 15.625kHz					
Vertical sync frequency	NTSC/EIA - 60Hz , PAL/CCIR - 50Hz					
Gamma consumption	0.45					
Video output	1Vp-p , 75ohm composite					
Storage temperature	-30 to 60 Degree C					
Working temperature	-10 to 45 Degree C					
Power source	Camera input: DC 5-12V					
Power current	160 mA(max)-DC12V					
Dimension (mm)	Ø17.5 x 22 mm					



Ordering information

Lens	LED	View angle	Thread pitch
2V	2.8mm/ F3.9	H= 25° 22'; V= 14° 21'; D= 28° 50'	M7 x P0.5
3T	3.4mm/F3.4	H= 22° 59'; V= 12° 58'; D= 26° 9'	M7 x P0.5
3M	3.4mm/F2.8	H= 20° 60'; V= 11° 50'; D= 23° 55'	M6 x P0.35
3D	3.9mm/F2.8	H= 18° 21'; V= 10° 20'; D= 20° 55'	M7 x P0.35
•4F	4.0mm/F2.0	H= 17° 54'; V= 10° 4'; D= 20° 24'	M7 x P0.5
•6F	6.38mm/F4.4	H= 11° 17'; V= 6° 19'; D= 12° 53'	M7 x P0.5

Note

- For spy application(perfect read text & good image on screen)
- IR LED 940nm , IR LED 850nm, white LED- ordering in advance