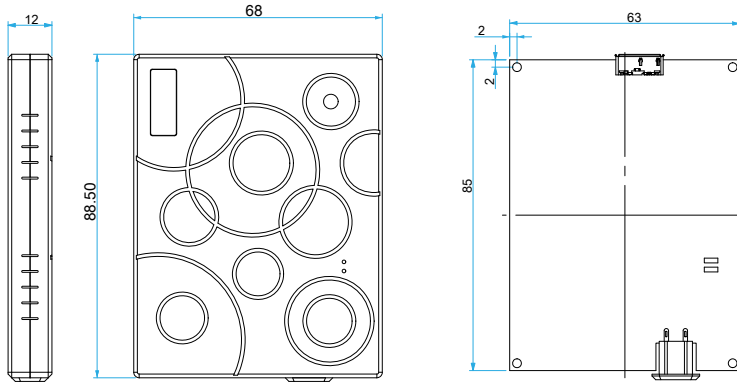


UCD-213

UCD-213M



Unit : mm (± 0.5)

**Feature**

- No driver install (USB Video Class)
- A/V CVBS NTSC / PAL input
- Play & Plug with USB Video Class
- Compact size perfect for travel and portable use.

**Specification**

Video input	NTSC@ 30fps, PAL @ 25fps		
UVC output	YUY2	640 x 480 VGA @60fps 1280 x720 720p @60fps	
Audio output	48kHz		
Interface	USB 3.0 /PC	USB Driver	Standard UVC1.1/UAC1.0
	4 PIN (female)/camera		
OS support	Windows 8.1, MAC OS		
Storage temperature	-40°C~85°C		
Working temperature	-10°C~60°C		
Power	DC 5V (672mA-max)		
Dimension (mm)	88.5(L) x 68(W) x 12(H)		
LED	Red light and flash	Video input	NTSC @ 30fps
		UVC output	VGA/720p @ 60fps
	Green light and flash	Video input	PAL @ 30fps
		UVC output	VGA/720p @ 60fps

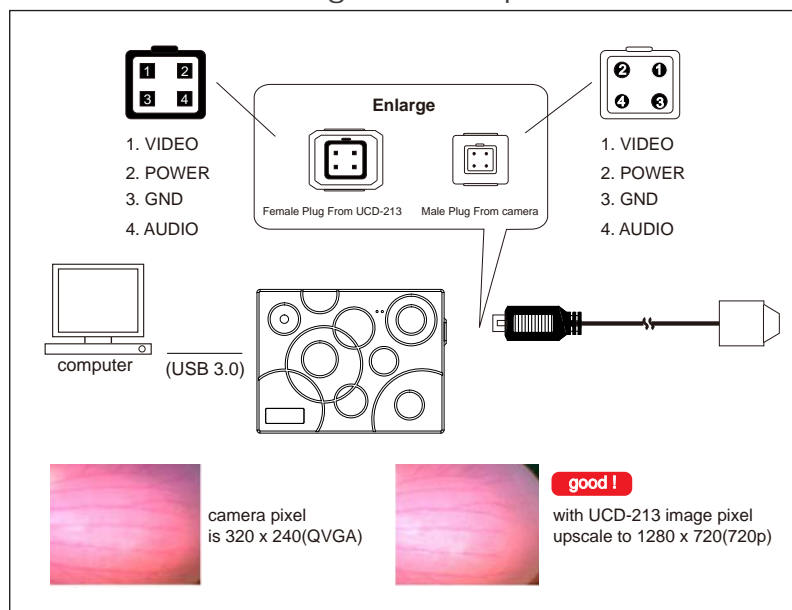


UCD-213

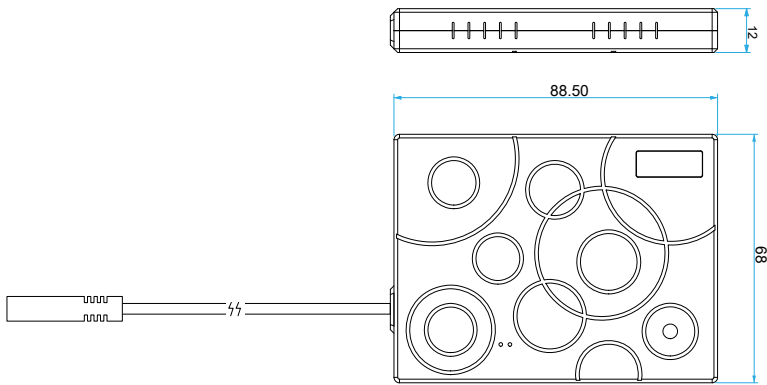


UCD-213M

**Instruction Drawing & Description**



Model	Resolution	Power output for camera
UCD-213HD-5.0	1280 x 720	DC 5V power output
UCD-213MHD-5.0		
UCD-213-5.0		
UCD-213M-5.0		
UCD-213HD-3.3	1280 x 720	DC 3.3V power output
UCD-213MHD-3.3		
UCD-213-3.3		
UCD-213M-3.3		
UCD-213M <b>M</b> : Board type		



Unit : mm (± 0.5)

**Feature**

- No driver install (USB Video Class)
- A/V CVBS NTSC / PAL input
- Play & Plug with USB Video Class
- Compact size perfect for travel and portable use.

**Specification**

Video input	NTSC@ 30fps, PAL @ 25fps		
UVC output	YUY2	640 x 480 VGA @60fps 1280 x720 720p @60fps	
Audio output	48kHz		
Interface	USB 3.0 /PC	USB Driver	Standard UVC1.1/UAC1.0
	4 PIN (female)/camera		
OS support	Windows 8.1, MAC OS		
Storage temperature	-40°C~85°C		
Working temperature	-10°C~60°C		
Power	DC 5V (672mA-max)		
Dimension (mm)	88.5(L) x 68(W) x 12(H)		
LED	Red light and flash	Video input	NTSC @ 30fps
		UVC output	VGA/720p @ 60fps
	Green light and flash	Video input	PAL @ 30fps
		UVC output	VGA/720p @ 60fps



UCD-214

**Instruction Drawing & Description**

Model	Resolution	Power output for camera
UCD-214HD-5.0	1280 x 720	DC 5V power output
UCD-214MHD-5.0		
UCD-214-5.0	640 x 480	
UCD-214M-5.0		
UCD-214HD-3.3	1280 x 720	DC 3.3V power output
UCD-214MHD-3.3		
UCD-214-3.3	640 x 480	
UCD-214M-3.3		

UCD-214M  
**M** : Board type