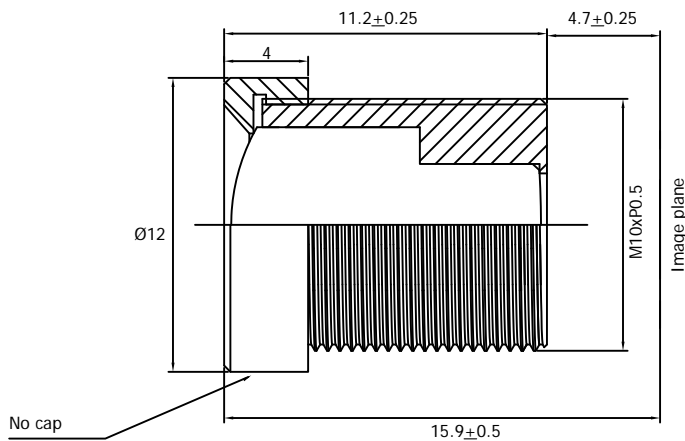


UNIT: mm

Specification

Model	5M3020IR-M10
Sensor type	1/2.5" 5 Mega
Focal length	3.0mm
Aperture F/no	2.0
FBFL	4.9mm
Wavelength	$\lambda = 400-700\text{nm}(\text{COLOR})$
F.O.V (D)	90°
Total Track	4.7mm ± 0.25
Mount	M10x P0.5
Lens construction	6G+IR



UNIT: mm

Specification

Model	5M3020IR-M10-01
Sensor type	1/2.5" 5 Mega
Focal length	3.0mm
Aperture F/no	2.0
FBFL	4.9mm
Wavelength	$\lambda = 400-700\text{nm}(\text{COLOR})$
F.O.V (D)	90°
Total Track	4.7mm ± 0.25
Mount	M10x P0.5
Lens construction	6G+IR

