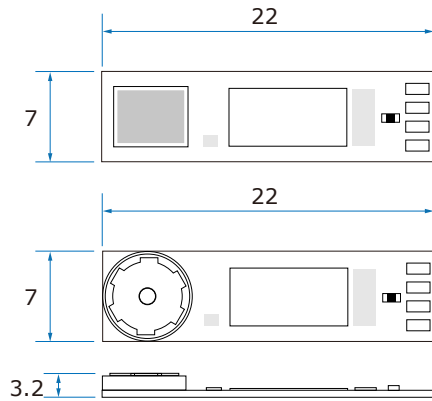


Digital type



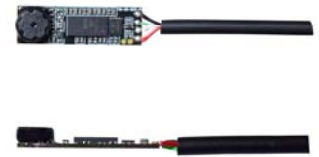
Feature

- Miniature size
- High sensitivity!
- Global shutter
- Camera Module Prefer for Medical Equipment

Specification

UNIT:±0.5mm

Model	
Max. frame rate	640x480@ 30fps MJPG/ 30fps YUV
pixel size	3 μm x 3 μm
Image sensor	1/7.5" Digital CMOS Camera Module
Image area	1.968 x 1.488mm
Scan mode	progressive
Sensitivity	7190mV/(μW.cm-2.sec) @ 850nm 2800mV/Lux-sec @ 530nm
Shutter	Global shutter
Dynamic range	73.3 dB @ 15.5x gain
UVC format	MJPEG, YUY2
Storage temperature	-30 to 60 Degree C
Working temperature	-10 to 45 Degree C
Interface	USB 2.0 (Compliant with USB Video Class 1.1 standard)
LED	IR LED x 6 (ordering in advance)
Operating system	Windows XP, windows Vista, window 7, windows 8
Power source	DC 5V (USB)
Power current	160mA
Dimension(mm)	7x22

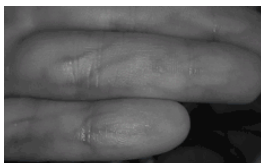


MD-BL24M7-69

More Information

Model	LED	Sensor	Connector	View Type
MD-BL24M7	N/A	1/7.5" CMOS B/W	USB 2.0 A type	Side View
MD-BL24M7L8	IR 850nm LED x6	1/7.5" CMOS B/W		
MD-BL24M7L9	IR 940nm LED x6	1/7.5" CMOS B/W		
Note:			Lens filter for ordering in advance	
IR 940nm LED & IR 850nm LED for ordering in advance Lens: 1.83mm/F2.0 (>7cm-focus distance/normal DOF) Lens: 1.83mm/F5.0 (2cm~7cm-focus distance/Middle DOF) Lens: 1.498mm/F3.2			AR filter	IR PASS
			XR filter	850-945nm
			ZR/Z filter	800nm [800peak]
			ZZR/ZZ filter	825-945nm

- Global shutter function to reduce or eliminate unwanted image artifacts
- High sensitivity camera works better with IR LED light !
- Available for Medical equipment such as Angiography



- Global shutter
- Rolling shutter

