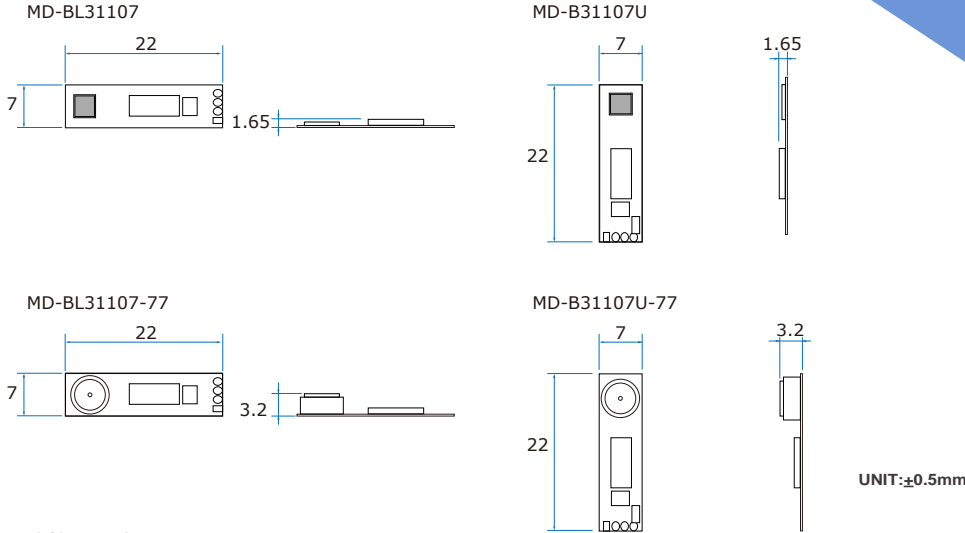


Digital type

Feature

- Miniature size
- High sensitivity!
- High performance.
- Full HD image pixel



Specification

Model	MD-BL31107	MD-B31107U
Max. frame rate	1920x1080@ 30fps MJPG/ 3fps YUV 1280x720@ 30fps MJPG/ 12fps YUV 640x480@ 30fps MJPG/ 30fps YUV 320x240@ 30fps MJPG/ 30fps YUV	
pixel size	1.4 μm x 1.4 μm	
Image sensor	1/6" Digital CMOS Camera Module	
Image area	2.7288x1.5498mm	
Scan mode	progressive	
Sensitivity	553 mV/(Lux-sec)	
Dynamic range	73.3 dB @ 15.5x gain	
UVC format	MJPEG, YUY2	
Storage temperature	-30 to 60 Degree C	
Working temperature	-10 to 45 Degree C	
Interface	USB 2.0 (Compliant with USB Video Class 1.1 standard)	
LED	white LED x 6 (ordering in advance)	
Operating system	MAC OS, Windows10, Windows8, Windows7, Windows XP, Linux, Andriod	
Power source	DC 5V (USB)	
Power current	160mA	
Dimension(mm)	7x22	
Microphone	N/A	YES



MD-BL31107



MD-B31107U

More Information

Model	LED	Sensor	Connector	View Type
MD-BL31107	N/A	1/6" CMOS Color	USB 2.0 A type	Side View
MD-BL31107L	White LED x6	1/6" CMOS Color		
MD-BL311M7	N/A	1/6" CMOS B/W		
MM-B31107U	N/A	1/6" CMOS Color	Micro USB OTG B type	UP View
MM-B31107LU	White LED x6	1/6" CMOS Color		
MM-B311M7U	N/A	1/6" CMOS B/W		

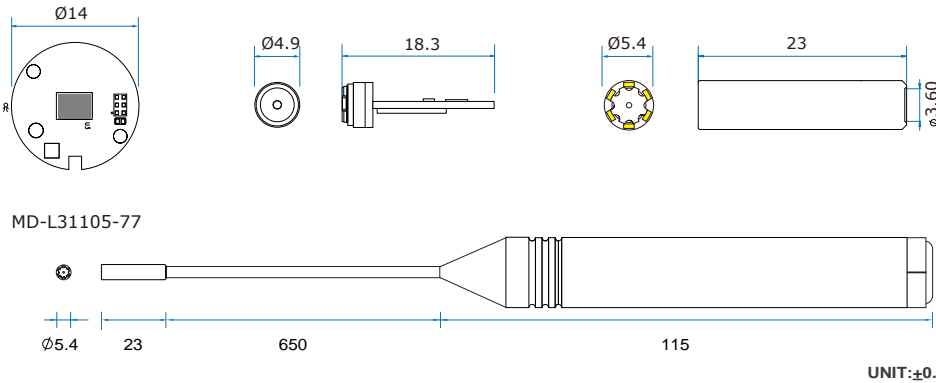
Note:

IR 940nm LED & IR 850nm LED for ordering in advance
 Lens: 1.83mm/F2.0 (>7cm-focus distance/normal DOF)
 Lens: 1.83mm/F5.0 (2cm~7cm-focus distance/Middle DOF)

MD-B31114R

MD-B31105-77

MD-V31105L-77



Feature

- Miniature size
- High sensitivity!
- High performance.
- Full HD image pixel

Specification

Model	MD-B31114R-77	MD-B31105-77	MD-V31105L-77
Max. frame rate	1920x1080@ 30fps MJPG/ 3fps YUV 1280x720@ 30fps MJPG/ 12fps YUV 640x480@ 30fps MJPG/ 30fps YUV 320x240@ 30fps MJPG/ 30fps YUV		
Pixel size	1.4 μm x 1.4 μm		
Image sensor	1/6" Digital CMOS Camera Module		
Image area	2.7288x1.5498mm		
Scan mode	progressive		
Sensitivity	553 mV/(Lux-sec)		
Dynamic range	73.3 dB @ 15.5x gain		
UVC format	MJPEG, YUY2		
Storage temperature	-30 to 60 Degree C		
Working temperature	-10 to 45 Degree C		
Interface	USB 2.0 (Compliant with USB Video Class 1.1 standard)		
Built-in Lens	1.83mm/F2.0		
View angle	H= 69degree 41'; V= 43degree 9'; D= 77degree 23'		
LED	white LED x 6 (ordering in advance)	white LED x 6	
Operating system	MAC OS, Windows10, Windows8, Windows7, Windows XP, Linux, Andriod		
Power source	DC 5V (USB)		
Power current	160mA		
Dimension(mm)	Ø14	Ø4.9	Ø5.4



MD-B31114R



MD-B31105-77



MD-V31105L-77



MD-L31105-77

MD-V31105L

- ① ② ③ ④

①		②		③		④	
MD	USB 2.0 A type	B	Board type (module)	31105	Board type (module)	L	white LED x 6
MM	Micro USB OTG B type	VB	Board type (module)+dimmer function	31105	Tube type		
MT	USB type-C	T	Tube type	31114R	Board type (module)		
		V	Tube type+dimmer function				
		L	Snake type (with LED light)				