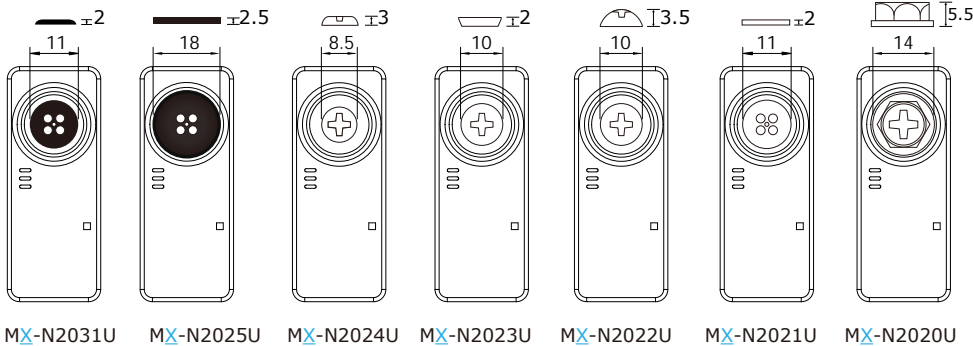


**Feature**

- Full HD USB camera!
- High sensitivity!
- High performance.
- Full HD 1080p, H.264



UNIT:±0.5mm



**Specification**

Model	MM-N20XXU
Max. frame rate	1920x1080/30fps H.264, MJPEG; 5fps YUV 1280x720/30fps H.264, MJPEG; 10fps YUV 640x480/30fps, 640x360/30fps H.264, MJPEG, YUV 320x240/30fps, 320x180/30fps H.264, MJPEG, YUV
pixel size	3 μm x 3 μm
Image sensor	1/2.7" digital cmos camera module
Image area	5856 μm x 3276 μm
Scan mode	progressive
Sensitivity	3300 mV/Lux-sec
Dynamic range	69 dB @ 8x gain
Storage temperature	-30 to 60 Degree C
Working temperature	-10 to 45 Degree C
Interface	USB 2.0 (Compliant with USB Video Class 1.1 standard)
Output format	YUV、MJPEG、H.264
Built-in Lens	6.0mm/F2.0
Operating system	Windows OS(Win7 & Win8) Linux OS(kernel 2.6.27 or later ), Android OS
Power source	DC 5V (Micro USB OTG B type)
Power current	350mA(Min.)
Dimension(mm)	22.8 x 57
Audio	Built-in microphone

**Slim Size is perfect for wearable and hidden!**



**Order Information**

MODEL	OUTPUT
MD-N20XX	USB 2.0 A type
MM-N20XX	Micro USB OTG B type
MT-N20XX	USB Type-C

Order information

With special clip,  
 camera stays tight even  
 when running and jumping.



Model: MM-N20310  
 Camera with  
 lens cover accessories



<b>Camera Resolution</b>	Support to 1080p
<b>Loop Recording</b>	Overwrites older video files, only keeps latest files. No more worry about SD card capacity
<b>2 method to Record</b>	1. Record video via DVR button; 2. Record video via APP
<b>Small &amp; Slim</b>	Fit for more application
<b>Internet IP connection</b>	NO limit of distance



UVC camera video input  
 (3 types Connector-optional)



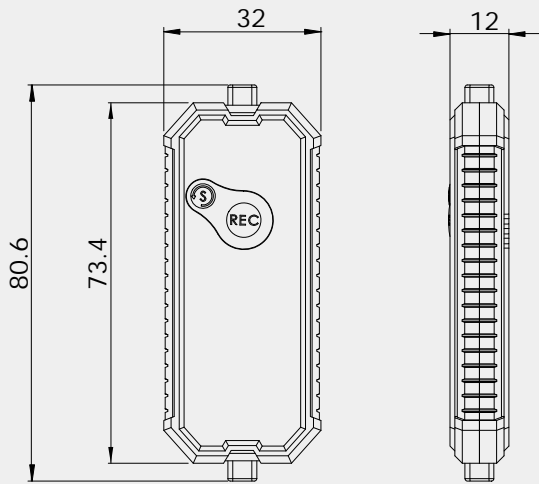
USB A



Micro USB



Type C



MP-WF580KP

**Feature**

- Support micro SD 128GB
- P2P or IP network connection
- Support H.264 & MJPG video format input
- WIFI Mini DVR
- FTP receiver (file)
- Live streaming preview(http)
- Loop receiver
- Support UVC camera video input
- Support RTC



Portable Size & Super Silm



External Memory - Max Support 128GB

