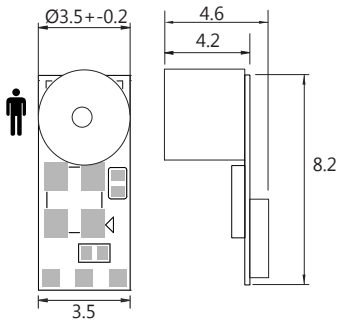
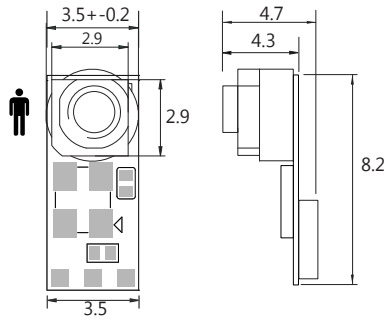


**Board Type**

**Model: MO-B802U-55**  
 55° lens / up view



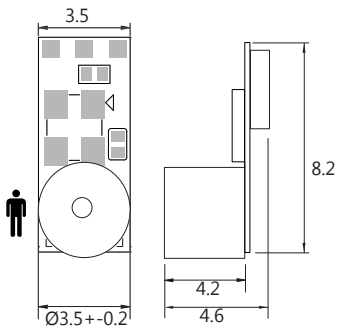
**Model: MO-B802U-90**  
 90° lens / up view



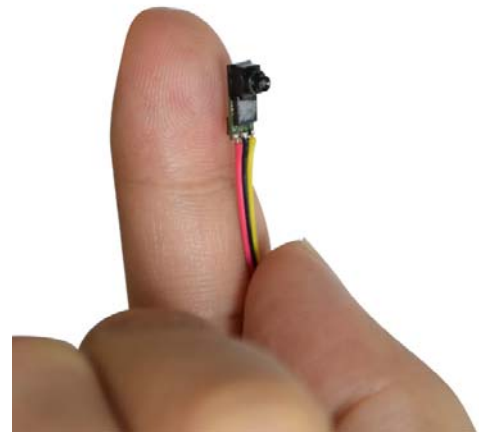
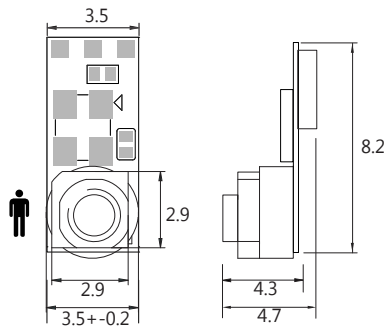
**Feature**

- 1/18" Color CMOS Camera
- Compact size.
- Lens Diameter :Ø 3.5 only
- High Performance.
- Competitive Price!
- LED Light x4(ordering in advance)

**Model: MO-B802U-55**  
 55° lens / down view



**Model: MO-B802D-90**  
 90° lens / down view



UNIT: ± 0.2 mm

**Specification**

Model	MO-B802U-55	MO-B802U-90	MO-B802D-55	MO-B802D-90
Video system	EIA/NTSC			
Number of effective pixels	320X240(EIA/NTSC)			
Image sensor	1/18" B/W CMOS Camera			
Resolution(TV Lines)	240 TV Lines			
S/N Ratio	more than 48dB			
Minimum illumination	2 Lux/ F1.2			
Electronic shutter	1/50-1/157000			
Horizontal sync frequency	EIA(NTSC) -15.734kHz			
Vertical sync frequency	EIA(NTSC) - 60Hz			
Camera consumption	0.45			
Video output	1Vp-p , 75ohm composite			
Storage temperature	-30 to 60 Degree C			
Working temperature	-10 to 45 Degree C			
Built-in Lens	0.96mm / F2.8	0.68mm / F3.0	0.96mm / F2.8	0.68mm / F3.0
Power source	DC 3.3 V			
Power current	35 mA			
Dimension (mm)	3.5 x 8.2			