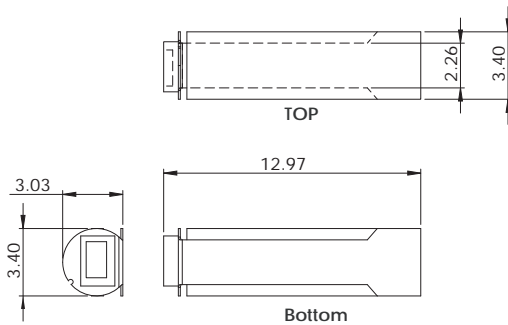
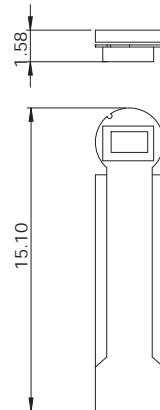


board type



up-view type



UNIT:±0.5mm

Feature

- FPCB Miniature size
- Connector to Smartphone!
- High performance.
- 720P HD image pixel

Specification

| Model | TD-B20903 | TD-B20903-76 | TD-B20903L-76 | TD-B209M3 | TD-B209M3-76 | TD-B209M3L-76 |
|---------------------|---|--------------|---------------|-----------|--------------|---------------|
| | Color | | | B/W | | |
| Max. frame rate | 1280x720@ 30fps MJPG/ 10fps YUV | | | | | |
| Pixel size | 1.4 μm x 1.4 μm | | | | | |
| Image sensor | 1/9" Digital CMOS Camera Module | | | | | |
| Image area | 1.819 x1.033 mm | | | | | |
| Scan mode | progressive | | | | | |
| Sensitivity | 585mV/Lux-sec | | | | | |
| Dynamic range | 68.4dB @16x gain | | | | | |
| UVC format | MJPEG, YUY2 | | | | | |
| Storage temperature | -30 to 60 Degree C | | | | | |
| Working temperature | -10 to 45 Degree C | | | | | |
| Interface | USB 2.0 (Compliant with USB Video Class 1.1 standard) | | | | | |
| Built-in Lens | N/A | 1.32mm/F2.0 | 1.32mm/F3.5 | N/A | 1.32mm/F2.0 | 1.32mm/F3.5 |
| View angle(D) | N/A | 76° | | N/A | 76° | |
| LED | N/A | N/A | white LED x 6 | N/A | N/A | white LED x 6 |
| Shutter | rolling shutter | | | | | |
| Operating system | Windows XP, Windows Vista, Window 7, Windows 8 | | | | | |
| Power source | DC 5V (USB/with power board) | | | | | |
| Power current | 120mA | | 170mA | 120mA | | 170mA |
| Dimension(mm) | 3.4x12.97 | 3.4x17.7 | 3.4xTBD | 3.4x12.97 | 3.4x17.7 | 3.4xTBD |

TD-B20903L-76



| ① | | ② | | ③ | | ④ | | ⑤ | |
|----|----------------------|----|-------------------------------------|-------|---------|-----|----------------------|-----|---------------------|
| TD | USB 2.0 A type | B | Board type (module) | 20903 | (color) | L | white LED | 76 | 1.33mm/ F 2.0 (76°) |
| TM | Micro USB OTG B type | VB | Board type (module)+dimmer function | 209M3 | (B/W) | L9 | IR940nm LED | 120 | F 4.0 (120°) |
| TT | USB type-C | T | Tube type | | | L8 | IR850nm LED | | |
| | | V | Tube type+dimmer function | | | LU | white LED(up-view) | | |
| | | | | | | L9U | IR940nm LED(up-view) | | |
| | | | | | | L8U | IR850nm LED(up-view) | | |