

Unit : mm (± 0.5)

Feature

- No driver install (USB Video Class)
- HDMI 1080P , 720P Video & Audio input
- Compact size perfect for travel and portable use.

Specification

Interface (Resolution output)	Samtec/ERM8-013-02.0-L-V connector
Interface (H.DMI input)	Samtec/ERM8-013-02.0-L-V connector
UVC output	MJPG and YUV
PC requirement (driver free)	USB 3.0 Windows8.1, windows10, MAC OSX, and X86 ubuntu
Video latency	About 0.18 sec~0.25sec(180ms~200ms)
Voltage	DC 5V
Current	800mA
Dimension(mm)	80 x 60
Storage temperature	-30 to 60 Degree C
Working temperature	-10 to 45 Degree C
Software support	Windows / MAC OSX: 720p version firmware@USB 3.0 Quicktime player, photo booth, skype, google hangouts, ustream, adobe video stream, VJ(avenue, modul8, istopmontion and etc), other AP that can support UVC webcam.
■ HDMI video source input (support HDCP) , UVC for video output / UAC for Audio output	



UHD-380



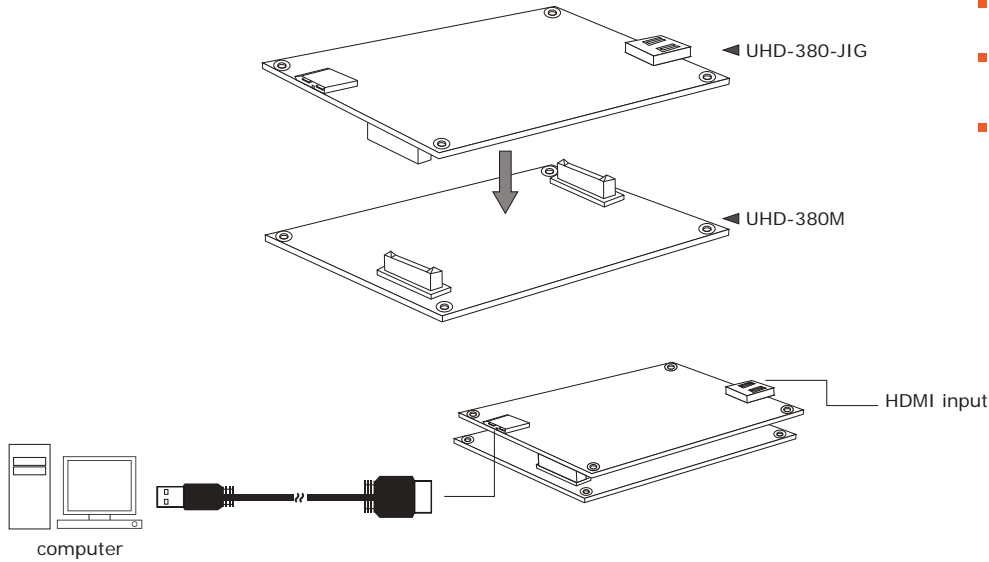
UHD-380

Firmware version

HDMI input resolution	USB Mode	MJPG UVC output	YUV UVC output
1920x1080p 60/50/30/24 fps 1920x1080i 60/50 field 1366x768 60fps	USB3.0	1920 x 1080p@60fps	1920 x 1080p @60fps
1280x720p 60/50fps 720x480 30fps 720x576 25fps	USB2.0	1920 x 1080p@30fps	None
1. USB3.0 use limitation(It just can work as below) windows8.1 + USB3.0 XHCI windows10 + USB3.0 XHCI X86 ubuntu + USB3.0 XHCI MAC OSX			

How to judge the HDMI input resolution

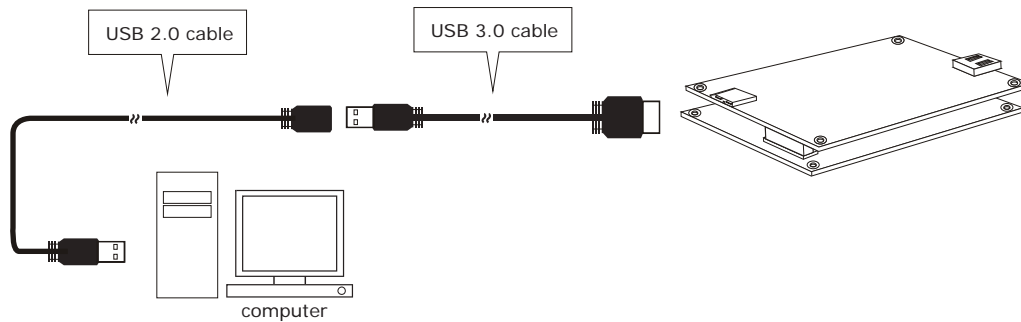
STEP 1(Windows8.1, windows10, MAC OSX, and X86 ubuntu / USB 3.0 XHCI):
Plug in the HDMI UVC grabber card into notebook or PC.



Feature

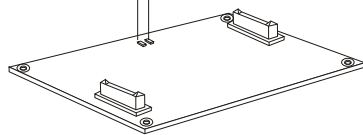
- No driver install (USB Video Class)
- HDMI 1080P ,720P Video & Audio input
- Compact size perfect for travel and portable use.

STEP 2. USB 2.0 mode: user need add the USB 2.0 cable accessory then connect with PC.



STEP 3: The LED indicator

LED2: red LED1: green



Hardware LED detect	USB UVC output	H.DMI input (all of progressive)
The green light turn on (no Blinking): H.DMI input is 1920x1080P	1920x1080p 60fps	1920x1080p 60fps
	1920x1080p 50fps	1920x1080p 50fp
	1920x1080p 30fps	1920x1080p 30fps
	1920x1080p 24fps	1920x1080p 24fps
The green LED and red LED turn on together (no Blinking): H.DMI input is 1366x768p	1366x768p 60fps	1366x768p 60fps
	1366x768p 50fps	1366x768p 50fps
The red light turn on (no Blinking): H.DMI input is 1280x720P	1280x 720p 60fps	1280x720p 60fps
	1280x720p 50fps	1280x720p 50fps