
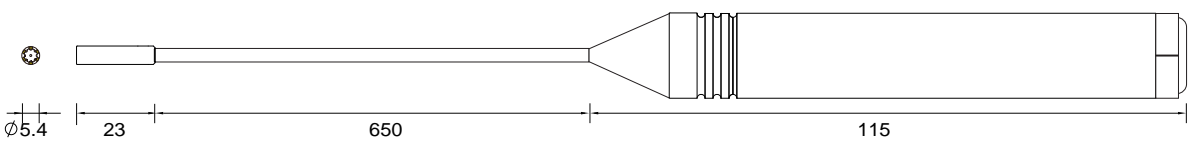


Digital type


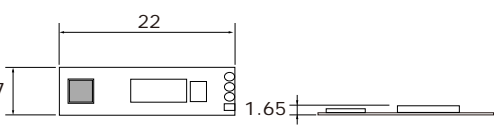

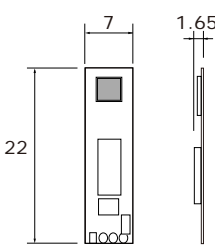

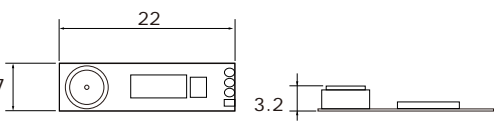

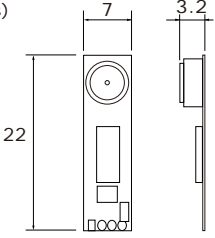
XX-B31105(Module Type/front view)

	<p>(158° lens)</p> 		<p>(93° lens)</p> 
	<p>(77° lens)</p> 		<p>Tube(77° lens)</p>  <p>UNIT:±0.5mm</p>


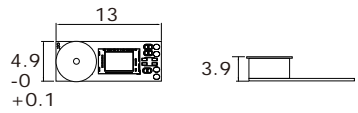

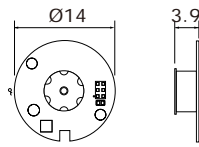
XX-V31105(Snake Type/front view)

	<p>(77° lens)</p>  <p>UNIT:±0.5mm</p>		
---	--	--	--

XX-BL31107(Module Type/side view); XX-B31107U(Module Type/up view)

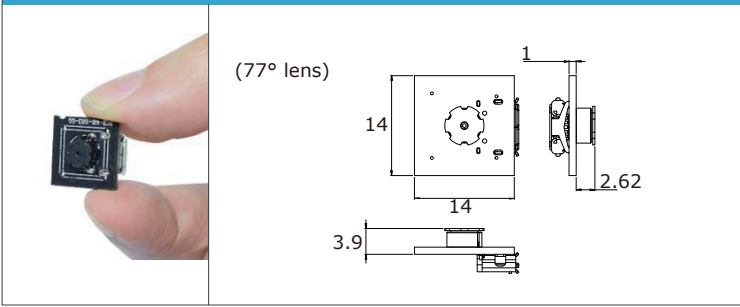
			
	<p>(77° lens)</p> 		<p>(77° lens)</p>  <p>UNIT:±0.5mm</p>

XX-BL31105(Module Type/side view); XX-B31114R(Module Type)

	<p>(77° lens)</p> 		 <p>UNIT:±0.5mm</p>
--	---	--	--

unit:±0.5mm

XX-B31114(Module Type)



Feature

- Miniature size
- High sensitivity!
- High performance.
- Full HD image pixel
- Snapshot & Freeze function
- Camera parameter adjustable

Specification

Model	MD-B31105	FD-B31105	TD-BL31105 (side view)	FTD-BL31105 (side view)	MD-BL31107	MD-B31107U	MD-B31114R	FD-B31114R
Snapshot & Freeze Function		Yes		Yes				Yes
Camera parameter setting on smartphone	Yes	Yes	Yes	Yes	Yes	Yes	Yes	Yes
Compatibility with wifi UHS-DC02E android stick	Yes	Yes	Yes	Yes	Yes	Yes	Yes	Yes
Dimension(mm)	Ø4.9		4.9x13		7x22		Ø14	14x14
Max. frame rate	1920x1080 @ 15~30fps MJPEG 1280x720 960x540 848x480 640x480 640x360 424x240 320x240 320x180 176x144 160x120							
Pixel size	1.4 µm x 1.4 µm							
Image sensor	1/6" Digital CMOS Camera Module							
Image area	2.7288x1.5498mm							
Scan mode	progressive							
Sensitivity	553 mV/(Lux-sec)							
Dynamic range	73.3 dB @ 15.5x gain							
UVC format	MJPEG							
Storage temperature	-30 to 60 Degree C							
Working temperature	-10 to 45 Degree C							
Interface	USB 2.0 (Compliant with USB Video Class 1.1 standard)							
Built-in Lens	1.83mm/F2.0(ordering in advance)							
View angle	H= 69degree 41'; V= 43degree 9'; D= 77degree 23'							
LED	white LED x 6 (ordering in advance)							
Power source	DC 5V (USB)							
Power current	160mA							
Operating system	Windows XP, windows Vista, window 7, windows 8, windows 10, Linux, MAC OSX							



Model NUM. Information

MD-V31105L-77

① ② ③ ④ ⑤

①	②	③	④	⑤
MD USB 2.0 A type MM Micro USB OTG B type MT USB type C FD USB 2.0 A type FM Micro USB OTG B type FT USB type C TD USB 2.0 A type TM Micro USB OTG B type TT USB type C FTD USB 2.0 A type FTM Micro USB OTG B type FTT USB type C	B Board type (module) VB Board type (module)+ dimmer function T Tube type V Tube type+dimmer function L Snake type (with LED light) BL Board type (module-side view)	31105 Board type (color) 31105 Tube type (color) 311M5 Board type (B/W) 311M5 Tube type (B/W) 31107 Board type (color) 311M7 Tube type (B/W) 31114R Board type (color) 31114 Board type (color)	L white LED x 6 L8 IR 850nm LED x 6 L9 IR 940nm LED x 6	77 1.83mm/F2.0(77°) 77 1.83mm/F5.0(77°) camera with LED 77Y 1.83mm/F2.0(77°) 93 1.7mm/F4.0(91°) 158 1.523mm/F4.8(158°)
*TD-, TM-, TT- series only have BL31105 (side view) *GPIO pin(snapshot & freeze) FTD-, FTM-, FTT FD-, FM-, FT- series		TD-BL31105, TD-BL311M5, MD-BL31107, MD-B31107U, MD-B31114R, without Tube type ■ 1080p resolution sensor crop to VGA resolution for ordering in advance. (telescope type)	with IR 850nm IR 940nm LED suggest to choose B/W type	77Y : Y :with Day&Night filter 93° Lens diameter is 4.95mm 158° Lens diameter is 6.25mm



Camera parameter adjustable

Camera parameter can be adjusted on the smartphone via the Misumi app.

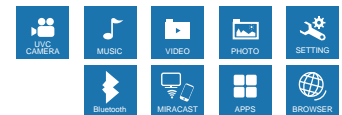
- Brightness
- Gain
- Contrast
- Gamma
- White Balance
- Exposure time ABS
- Sharpness
- Backlight Compensation
- HUE
- Saturation
- Mirror
- Flip
- Frame rate 30fps
- Resolution 1920x1080



Other information

WiFi 1080p Remote Control UVC Android Stick

► UHS-DC02E



Connecting with UHS-DC02E

UHS-DC02E support 1080p resolution camera and user can adjust camera parameter according to different environment.

- Brightness
- Gain
- Contrast
- Gamma
- White Balance
- Exposure time ABS
- Sharpness
- Backlight Compensation
- HUE
- Saturation
- Mirror
- Flip
- Frame rate 30fps
- Resolution 1920x1080



HDMI TV



android phone