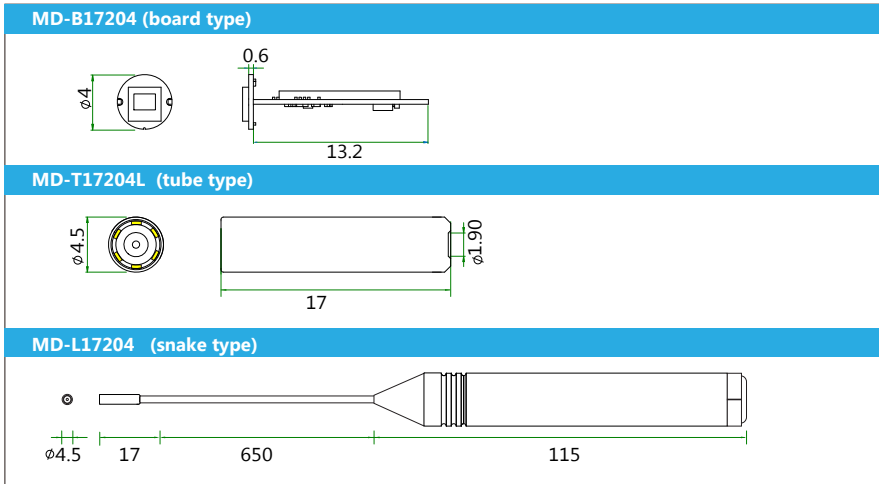


Body Type



Feature

- High Sensitivity!
- High Performance
- Inspection Tool / Driver Free
- Compact size

unit : mm (± 0.5)

Specification

Model	MD-B17204	MD-T17204L
Dimension (mm)	$\phi 4$	$\phi 4.5 \times 27$
Pixel Size	2.125um X 2.125um	
Active Image Size	1.370mm(H) X 1.040mm(V) X 1.720mm(D)	
Resolution	640 x 480 @ 30fps MJPG, YUV 320 x 240 @ 30fps MJPG, YUV	
Image sensor	1/10" CMOS color	
Built-Lens	order in advance	
Sensor scan mode	progressive	
Video Format	MJPG, YUV	
LED	order in advance	
Storage temperature	-30 to 60 Degree C	
Working temperature	-10 to 45 Degree C	
Power source	DC 5V	
Power current	130 mA(max)	
OS support	Windows XP, Windows Vista, Window 7, Windows 8, windows 10	

Model NO.

MD-B17204L-65

① ② ③ ④ ⑤

MD USB 2.0 A type	B Board type (module)	17204 color	L white LED	65 1.33mm/F2.0 (65°)
MM Micro USB OTG B type	VB Board type (module)+dimmer function	172M4 B/W	L9 IR940nm LED	59 1.498mm/F3.2 (59°)
MT USB type-C	T Tube type		L8 IR850nm LED	59 1.498mm/F5.0 (59°) ** with LED light
MI Mini USB	V Tube type+dimmer function			

