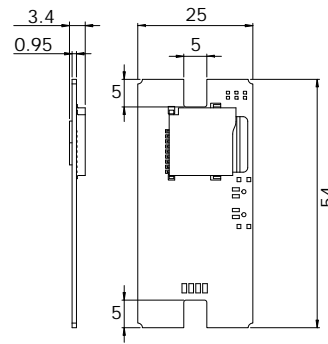


MP-WF580K



MP-WF580KM

Unit : mm (± 0.5)

Specification

Feature	<ul style="list-style-type: none"> • Support micro SD 128GB • Portable size • Support H.264 & MJPG video format input • WIFI Mini DVR • FTP receiver (file) • Live streaming preview(http) • Loop receiver • Support UVC camera video input • Support RTC 			
Image				
Model	MP-WF580K	MP-WF580KP	MP-WF580KM	MP-WF580KPM
Connection type	P2P connection	IP network connection	P2P connection	IP network connection
Dimension	73.4(L) x 32(W) x 12(H)mm		54(L) x 25(W) x 3.4(H)mm	
Local Storage	Support micro SD 128GB			
Real-time clock (RTC)	Support			
Standards	IEEE 802.11 n/b/g standards compliant			
Operating Frequency	2.412 - 2.483GHz(Subject to Local Regulations) Frequency Range USA (FCC): 2.412GHz ~ 2.462GHz Europe (ETSI): 2.412GHz ~ 2.472 GHz Japan (TELEC): 2.412GHz ~ 2.483GHz			
Data Rate	802.11b: 1, 2, 5.5, 11Mbps 802.11g: 6, 9, 12, 18, 24, 36, 48, 54Mbps 802.11n: up to 300Mbps			
Bandwidth, Channels	802.11n 20MHz/40MHz ;802.11b/g USA (FCC) 11 channels; EU (ETSI) 13 channels; Japan (TELEC) 13 channels			
Transmit Power	802.11b: 16+/-1.5dBm@11Mbps 802.11gn HT20: 13+/-1.5dBm@MCS7 802.11gn HT40: 13+/-1.5dBm@MCS7 802.11n HT20: 13+/-1.5dBm@MCS7 802.11n HT20: 13+/-1.5dBm@MCS7			
Receive Sensitivity	11n: ≤ -67 dBm typical with 20MHz ≤ -64 dBm typical with 40MHz 11g: ≤ -71 dBm typical @ 54Mbps 11b: ≤ -82 dBm typical @ 11Mbps			
Chipset	ABC8000, 1Ghz MIPS, MCU			
Function	Loop recording, Snapshot			
Video format	MJPEG , H.264 (UVC camera)			
Resolution support	1920x1080 Full-HD 1080P, 25FPS			
Operating Voltage	5V/ 1A (5V/350mA-without camera)			
RF interface	i-PEX connector x1 & PCB antenna x1			
Operating	0~40°C. 10% to 90% Non-Condensing			
Storage	-30 ~ 70°C. 10% to 95% Non-Condensing			

continuing....

Camera Resolution	Support to 1080p
Loop Recording	Overwrites older video files, only keeps latest files. No more worry about SD card capacity.
2 method to Record	1. Record video via DVR button; 2. Record video via APP
Small & Slim	Fit for more application
Internet IP connection	NO limit of distance



UVC camera video input
(3 types Connector-optional)



External Memory - Max Support 128GB



- APP Preview
- FTP
- Http Preview
- Wi-Fi
- IP/ P2P
- UVC Camera
- Loop Record
- H.264 MJPG video Fomat
- 128GB Micro SD
- RTC Function



P2P Type Model NO.

Model	Accessory (Micro SD)	Connector
MP-WF580K	N/A	USB 2.0 female
MP-WF580K-32	32GB	
MP-WF580K-64	64GB	
MP-WF580K-128	128GB	
MP-WF580K-MM	N/A	Micro USB female
MP-WF580K-MM-32	32GB	
MP-WF580K-MM-64	64GB	
MP-WF580K-MM-128	128GB	
MP-WF580K-MT	N/A	USB Type C female
MP-WF580K-MT-32	32GB	
MP-WF580K-MT-64	64GB	
MP-WF580K-MT-128	128GB	
MP-WF580KM	N/A	USB 2.0 female
MP-WF580KM-32	32GB	
MP-WF580KM-64	64GB	
MP-WF580KM-128	128GB	
MP-WF580KM-MM	N/A	Micro USB female
MP-WF580KM-MM-32	32GB	
MP-WF580KM-MM-64	64GB	
MP-WF580KM-MM-128	128GB	
MP-WF580KM-MT	N/A	Micro USB female
MP-WF580KM-MT-32	32GB	
MP-WF580KM-MT-64	64GB	
MP-WF580KM-MT-128	128GB	

IP Network Type Model NO.

Model	Accessory (Micro SD)	Connector
MP-WF580K P	N/A	USB 2.0 female
MP-WF580K P -32	32GB	
MP-WF580K P -64	64GB	
MP-WF580K P -128	128GB	
MP-WF580K P -MM	N/A	Micro USB female
MP-WF580K P -MM-32	32GB	
MP-WF580K P -MM-64	64GB	
MP-WF580K P -MM-128	128GB	
MP-WF580K P -MT	N/A	USB Type C female
MP-WF580K P -MT-32	32GB	
MP-WF580K P -MT-64	64GB	
MP-WF580K P -MT-128	128GB	
MP-WF580K P M	N/A	USB 2.0 female
MP-WF580K P M-32	32GB	
MP-WF580K P M-64	64GB	
MP-WF580K P M-128	128GB	
MP-WF580K P M-MM	N/A	Micro USB female
MP-WF580K P M-MM-32	32GB	
MP-WF580K P M-MM-64	64GB	
MP-WF580K P M-MM-128	128GB	
MP-WF580K P M-MT	N/A	Micro USB female
MP-WF580K P M-MT-32	32GB	
MP-WF580K P M-MT-64	64GB	
MP-WF580K P M-MT-128	128GB	

These cameras are compatible with MP-WF580KP

Image									
Model	MD-V1001L	MD-V1003L	MD-V20904L	MD-V21106L	MD-V31105L	MD-V4110L	MD-V5015L	MD-N41XX	MD-N20XXE
Dimension	Ø2.5mm	Ø3.8mm	Ø4.2mm	Ø6mm	Ø5.4mm	Ø10mm	Ø15mm	10.3x40.7mm	22.8x57.4mm
Resolution	400x400 @30fps	400 x 400	1280x720 @ 30fps MJPG @ 10fps YUV	1280x720 @ 30fps MJPG @ 10fps YUV	1920x1080 @ 30fps MJPG @ 3fps YUV	1920x1080 @ 24fps H.264 @ 30fps MJPG @ 10fps YUV	2592 x 1944 @15 fps MJPG	1920x1080 @ 24fps H.264 @ 30fps MJPG @ 10fps YUV	1920x1080 @ 30fps H.264 @ 30fps MJPG @ 10fps YUV
Image sensor	1/18"	1/10"	1/9"	1/9"	1/6"	1/4"	1/4"	1/4"	1/2.7"
LED	White LED x 3	White LED x 4	White LED x 6	White LED x 6	White LED x 6	White LED x 10	White LED x 10	N/A	N/A
UVC format	YUV MJPEG	YUV MJPEG H.264	YUV MJPEG	YUV MJPEG	YUV MJPEG	YUV MJPEG H.264	MJPEG	YUV MJPEG H.264	YUV MJPEG H.264
Type	Tube	Tube	Tube	Tube	Tube	Tube	Tube	Hidden	Hidden