

Dimension(mm) & Image				
Model	MP-CB300T	MP-CB300TM	MP-CB300U	MP-CB300UM
Dimension(mm)	(D)17.3 x 23.2	(D)11 x 12.9	15.5 x 33.9	11 x 25.2 x 3.1
Camera type	front view		up view	
Pixel Size	2um x 2um			
Effect Image Area	5440 x 4072 um			
Optical Format	1/3" CMOS Color			
Frame Rates	1920 x 1080p @30 fps			
Dark Signal	4 [mV/sec]@60°C			
Sensitivity	1900 [mV/Lux]			
SNR	38.3 dB			
Dynamic Range	64.6 dB			
Built-in Lens	specify when ordering			
Power input	5V			

Image	Model	EFL / F stop	Lens thread	Note
	5M37024IR-M12	3.7mm/F2.4	M12 x P0.5	5MP lens
	3M60025IR-M12	6.0mm/F2.5	M12 x P0.5	5MP lens
	3M4324IR-M12	4.3mm/F2.4	(M12 x P0.5/ top M7 x P0.35)	3MP lens
	3M37025IRV-M12	3.7mm/F2.5	M12 x P0.5	3MP lens
	3M31828IR-M12	3.1mm/F2.8	M12 x P0.5	3MP lens

Connect to MP-WF200LTE

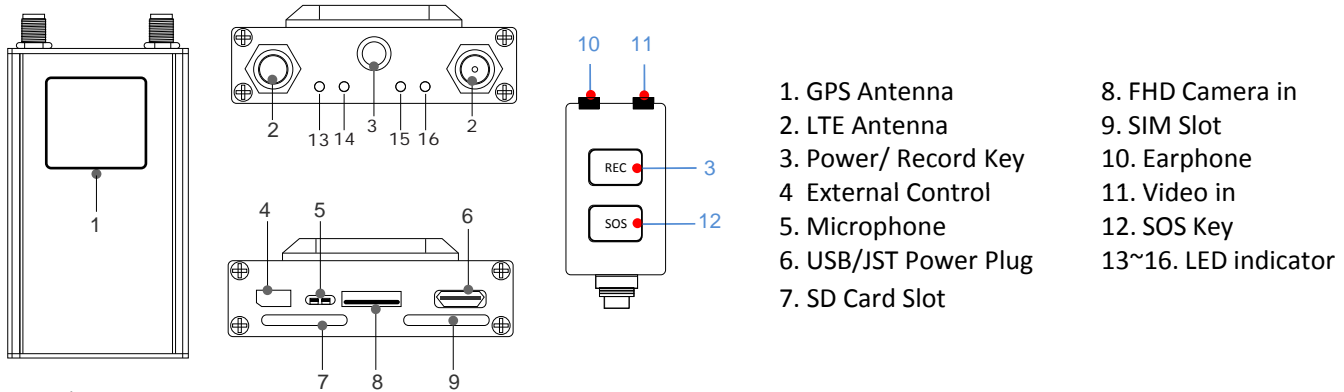


Feature ■

- Full HD resolution REC and HD transmission capability.
- Support FHD camera & NTSC/PAL video input.
- Encrypted video and audio data transmission.
- H.264/265 video compression.
- Bit rate auto adjust with current bandwidth.
- Two way audio & emergency push notice.
- Support 128G high capacity SD card.
- QR code scan link, setting free.
- One key operation, easy to use.
- App operation both on iOS / Android system.

External camera resolution	Record : 1080P/720P/D1 Max. 30fps Preview : 720P/D1/CIF Max. 30fps Photo : 1080P
Video input resolution (analog)	Record/preview : D1/CIF Max Photo : D1
Compression algorithm	Video H.264 / H.265; Audio G.726
File Format	Video : AVI; Photo : JPG
Video recording mode	Standard/ motion
Model (LTE band)	MP-WF200LTE-NA-G(United states-with GPS function) : B17,B5,B4,B2 MP-WF200LTE-NA(United states- no GPS function) : B17,B5,B4,B2 MP-WF200LTE-SA-G(South America) : B28,B5,B8,B3,B1,B7 MP-WF200LTE-EU-G(EURO) : B20,B5,B8,B3,B1,B7 MP-WF200LTE-AU(Australia) : B28,B5,B3,B1,B7(no GPS function) MP-WF200LTE-AS-G(Asia) : B20,B5,B8,B3,B1,B7 MP-WF200LTE-CA-G(china) : B20,B5,B8,B3,B1,B7,B39,B40,B41
GPS	GPS / GLONASS
Storage	Micro SD up to 128GB
OSD / Time Stamp	ID : 20 characters. Time stamp: YY-MM-DD HH:MM:SS
LED Indicator	Power / Link / REC
Vibration Alert	Power on/off ; REC on/off
Power source	DC 5V Micro USB
Power consumption	5W (Full run)
Operating temperature	-10 ~ 60 °C
Storage temperature	-40 ~ 85 °C
App	iOS / Android
Weight	60g w/o antenna.
Dimension	85 X 46.8 X 12.9 mm w/o LTE & GPS antenna

A. Description



B. Power & Antenna

- USB connector: Connect the included USB cable to +5V power source(No.6).
- JST connector: Connect the included JST cable to 7~23V power source(No 6).
- Plug included two antenna to antenna connector (No.2).

C. Insert the memory card and SIM card

- Insert the included MicroSD card into SD slot (No.7).
- Insert the SIM card to SIM slot (No.9).

D. Video source plug in

- Connect the FHD camera to FHD camera in connector (No. 8) or NTSC/PAL analog camera to video in connector (No.11).

E. Operation

- Power On :
 - a. Push & hold button (No.3) until the device starts to vibrate (three short vibrations indicate power on has succeeded).
 - b. After 7 seconds, the device will vibrate twice more to complete the power on process.
- Power Off :
 - a. Push & hold button (No.3) until the device starts to vibrate for one long vibration.
 - b. After 5 seconds the unit will vibrate a further 2 short vibrations to complete the power off process.
- Record :
 - a. Push button (No.3) once to start recording. The device will vibrate once to indicate recording has started. To stop recording, push button (No.3) once, it will vibrate twice to indicate recording has stopped.

F. LED Indicator

- Power blue LED (No.13) : ON – Power on.
- LTE white LED (No.14) : ON/Blink – LTE link.
- Link green LED (No.15) : ON – Peer to peer access; Blink – SIM error.
- Record red LED (No.16) : ON – SD error; OFF – Record Stop; Blink – Record.

G. External Control

- Connect the included control cable to external control connector (No.4).
- Earphone 3.5 phone jack (No.10) for two way audio communication.
- Video in 2.5 phone jack (No.11) for camera in.
- Power/Record key (No. 3), act as device No.3
- SOS key (No.12) : Push for emergency condition, system will send push notice.