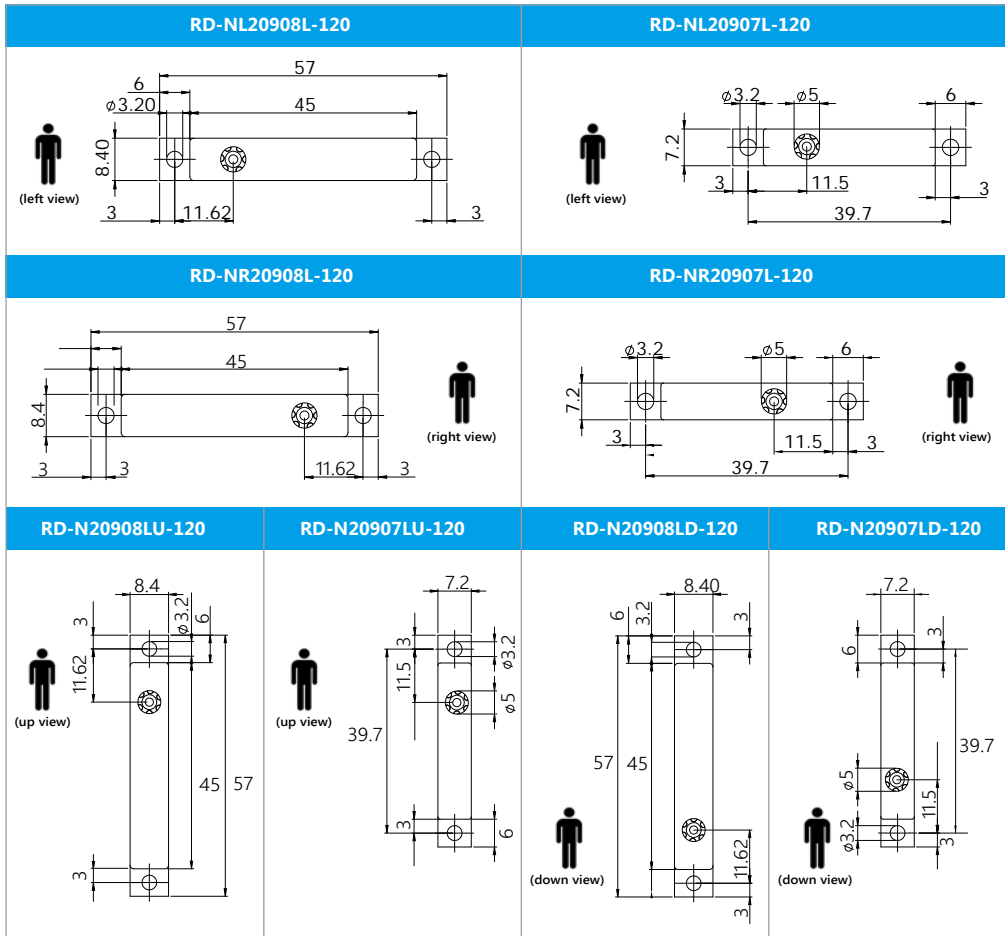


UNIT:±0.1mm



**Feature**

- High Performance.
- Outstanding Quality!



Model	RD-N20907Lx-120	RD-Nx20907L-120	RD-N20908Lx-120	RD-Nx20907L-120
Camera Type (specify when ordering)	RD-N20907LU-120 (up view) RD-N20907LD-120 (down view)	RD-NL20907L-120 (left view) RD-NR20907L-120 (right view)	RD-N20908LU-120 (up view) RD-N20908LD-120 (down view)	RD-NL20908L-120 (left view) RD-NR20908L-120 (right view)
Dimension(mm)	39.7(L) x 7.2(W) x 7(H)		57(L) x 8.4(W) x 7(H)	
Max. frame rate	1280x720@ 30fps MJPG			
Pixel size	1.4 μm x 1.4 μm			
Image sensor	1/9" Digital CMOS Camera Module			
Image area	1.819 x1.033 mm			
Scan mode	progressive			
Sensitivity	585mV/Lux-sec			
Dynamic range	68.4dB @16x gain			
UVC format	MJPEG			
Storage temperature	-30 to 60 Degree C			
Working temperature	-10 to 45 Degree C			
Interface	USB 2.0 (Compliant with USB Video Class 1.1 standard)			
Built-in Lens (specify when ordering)	1.32mm/F2.0 (76° lens) ; 1.32mm/F3.5 (76° high DOF lens) F4.0 (120° lens) 1.00mm/F4.8 (128° lens)			
View angle	H= 69°; V= 42° ; D= 76° (76° lens) D= 120° (120° lens) H= 118°; V= 76°; D= 128° (128° lens)			
LED	white ( IR 940nm/IR 850nm-specify when ordering)			
Shutter	rolling shutter			
Operating system	Windows XP, Windows Vista, Window 7, Windows 8, windows 10			
Power source	DC 5V			
Power current	120mA			

**RD-NL20908L-120**

①

②

③

① CONNECTOR		② CAMERA TYPE		③ LENS	
<b>RD</b>	USB 2.0 A type	<b>NL20908L</b>	left view + white x 6	<b>76</b>	1.32mm/F2.0 (76°)
<b>RM</b>	Micro USB OTG B type	<b>NR20908L</b>	right view + white x 6	<b>76</b>	1.32mm/F3.5 (76°)
<b>RT</b>	USB type-C	<b>N20908LD</b>	down view + white x 6	<b>120</b>	F 4.0 (120°)
		<b>N20908LU</b>	up view + white x 6	<b>128</b>	1.0mm/F4.5 (128°)
IR 940nm LED or IR 850nm LED -specify when ordering				1.32mm/F2.0 for SPY application 1.32mm/F3.5 high DOF	

