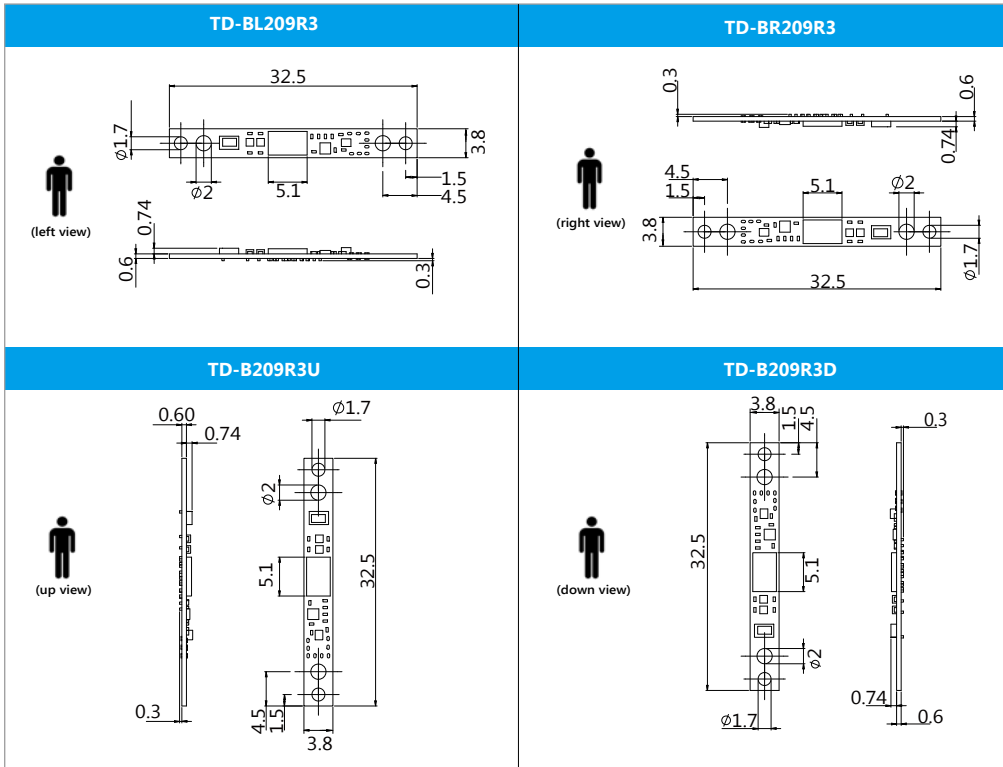


UNIT:±0.1mm



**Feature**

- High Performance.
- Outstanding Quality!



Model	TD-BL209R3	TD-BR209R3	TD-B209R3U	TD-B209R3D
Camera viewing direction	Left view	Right view	Up view	Down view
Dimension(mm)	32.5(L) x 3.8(W) x 1.64(H)			
Max. frame rate	1280x720@ 30fps MJPG			
Pixel size	1.4 μm x 1.4 μm			
Image sensor	1/9" Digital CMOS Camera Module			
Image area	1.819 x1.033 mm			
Scan mode	progressive			
Sensitivity	585mV/Lux-sec			
Dynamic range	68.4dB @16x gain			
UVC format	MJPEG			
Storage temperature	-30 to 60 Degree C			
Working temperature	-10 to 45 Degree C			
Interface	USB 2.0 (Compliant with USB Video Class 1.1 standard)			
Built-in Lens (specify when ordering)	1.32mm/F2.0 (76° lens) ; 1.32mm/F3.5 (76° high DOF lens) F4.0 (120° lens) 1.00mm/F4.8 (128° lens)			
View angle	H= 69°; V= 42° ; D= 76° (76° lens) D= 120° (120° lens) H= 118°; V= 76°; D= 128° (128° lens)			
LED	white / IR 940nm / IR 850nm-specify when ordering)			
Shutter	rolling shutter			
Operating system	Windows XP, Windows Vista, Window 7, Windows 8, windows 10			
Power source	DC 5V			
Power current	120mA			

**TD-BL209R3-120**

①

②

③

① CONNECTOR		② CAMERA TYPE		③ LENS	
<b>TD</b>	USB 2.0 A type	<b>BL209R3</b>	left view	<b>76</b>	1.32mm/F2.0 (76°)
<b>TM</b>	Micro USB OTG B type	<b>BR209R3</b>	right view	<b>76</b>	1.32mm/F3.5 (76°)
<b>TT</b>	USB type-C	<b>B209R3D</b>	down view	<b>120</b>	F 4.0 (120°)
		<b>B209R3U</b>	up view	<b>128</b>	1.0mm/F4.5 (128°)
		IR 940nm LED or IR 850nm LED -specify when ordering		1.32mm/F2.0 for SPY application 1.32mm/F3.5 high DOF	

