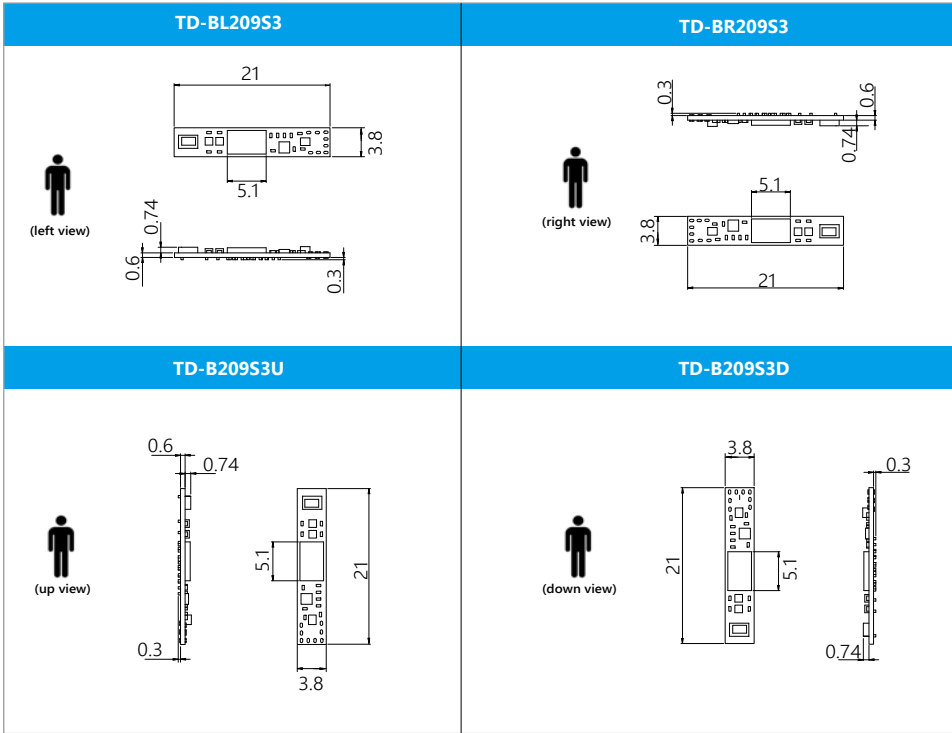


UNIT: ±0.1mm



Feature

- UTC Function
- High Performance.
- Outstanding Quality!



Model	TD-BL209S3	TD-BR209S3	TD-B209S3U	TD-B209S3D
Camera viewing direction	Left view	Right view	Up view	Down view
Dimension(mm)	21(L) x 3.8(W) x 1.64(H)			
Max. frame rate	1280x720@ 30fps MJPG			
Pixel size	1.4 μm x 1.4 μm			
Image sensor	1/9" Digital CMOS Camera Module			
Image area	1.819 x1.033 mm			
Scan mode	progressive			
Sensitivity	585mV/Lux-sec			
Dynamic range	68.4dB @16x gain			
UVC format	MJPEG			
Storage temperature	-30 to 60 Degree C			
Working temperature	-10 to 45 Degree C			
Interface	USB 2.0 (Compliant with USB Video Class 1.1 standard)			
Built-in Lens (specify when ordering)	1.32mm/F2.0 (76° lens) ; 1.32mm/F3.5 (76° high DOF lens) F4.0 (120° lens) 1.00mm/F4.8 (128° lens)			
View angle	H= 69°; V= 42° ; D= 76° (76° lens) D= 120° (120° lens) H= 118°; V= 76°; D= 128° (128° lens)			
LED	white / IR 940nm / IR 850nm-specify when ordering)			
Shutter	rolling shutter			
Operating system	Windows XP, Windows Vista, Window 7, Windows 8, windows 10			
Power source	DC 5V			
Power current	120mA			

TD - B209S3D - 120

①

②

③

① CONNECTOR		② CAMERA TYPE		③ LENS	
TD	USB 2.0 A type	BL209S3	left view	76	1.32mm/F2.0 (76°)
TM	Micro USB OTG B type	BR209S3	right view	76	1.32mm/F3.5 (76°)
TT	USB type-C	B209S3D	down view	120	F 4.0 (120°)
		B209S3U	up view	128	1.0mm/F4.8 (128°)
		IR 940nm LED or IR 850nm LED -specify when ordering		1.32mm/F2.0 for SPY application 1.32mm/F3.5 high DOF	

