

**Feature**

- High performance and outstanding quality.
- Pixel size is 3.75x 3.75um
- Low light Camera
- High sensitivity!
- HD 720p resolution.
- HDR Camera.



**Specification**

Model	TD-N551xx -62
Pixel size	3.75 x 3.75 μm
Active image size	4.8mm(H) x 2.7mm(V)
Resolution	1280 x 720 @ 30fps MJPG
Image sensor	1/3" CMOS color
Sensor scan mode	progressive
Video format	MJPG
Sensitivity	6488 mV/lux-sec
Max SNR	37.2 db
Max dynamic range	70.4 db
Storage temperature	-30 to 60 Degree C
Working temperature	-10 to 45 Degree C
Built-in lens	4.2mm/F2.4
Power source	DC 5V
Power current	130mA
OS support	Window 7, Windows 8, windows 10, android
Microphone	Built-in

Model NO.

**TD-R55131-62**

- ① ② ③ ④

① CONNECTOR		② TYPE		③ COVER TYPE		④ LENS	
TD	USB 2.0 A type	R	with case	55120	silver screw (Ø14mm)	62	4.2mm/F2.4 (62°)
TM	Micro USB OTG B type	N	Square type (hidden)	55121	silver button (Ø11mm)		
TT	USB type-C			55122	silver screw (Ø10mm)		
				55123	silver screw (Ø10mm)		
				55124	silver screw (Ø8.5mm)		
				55125	screw (Ø18mm)		
				55131	screw (Ø11mm)		
				55141	screw (Ø11mm)		

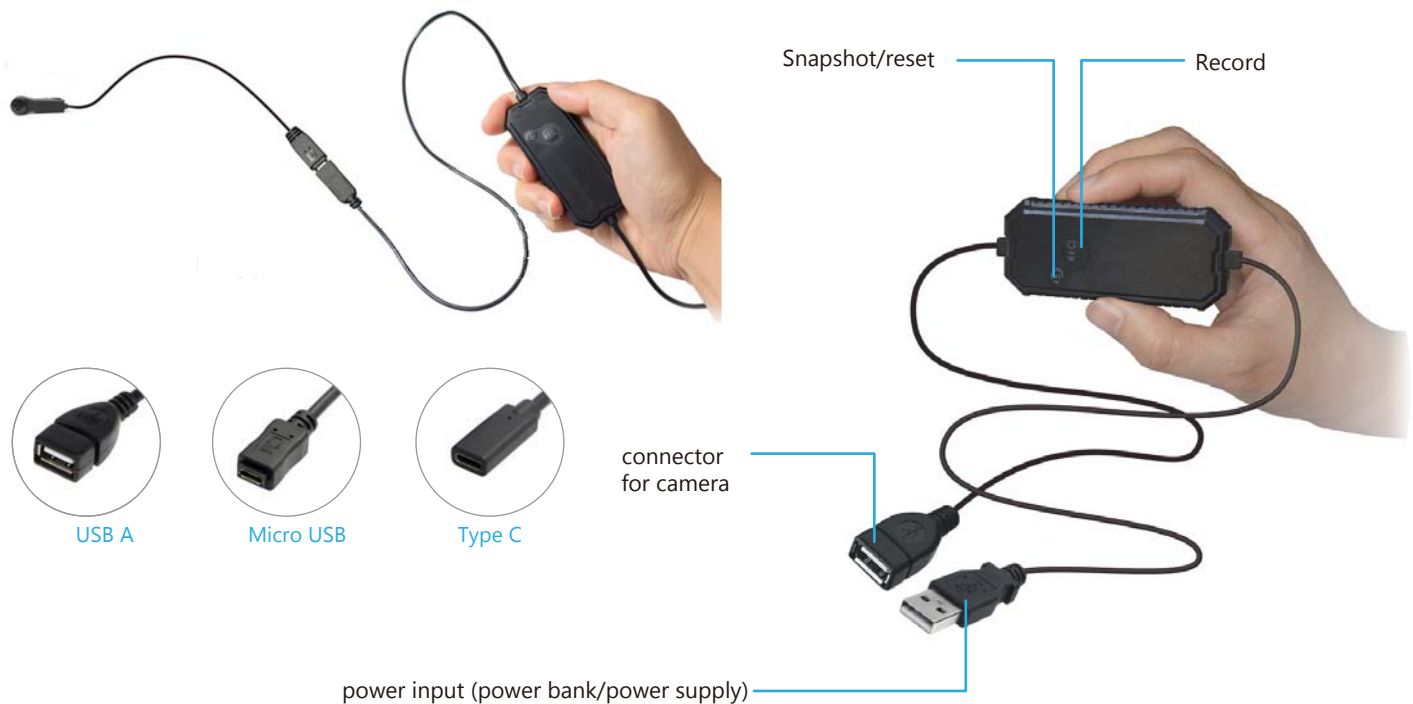
HDR camera vs normal camera

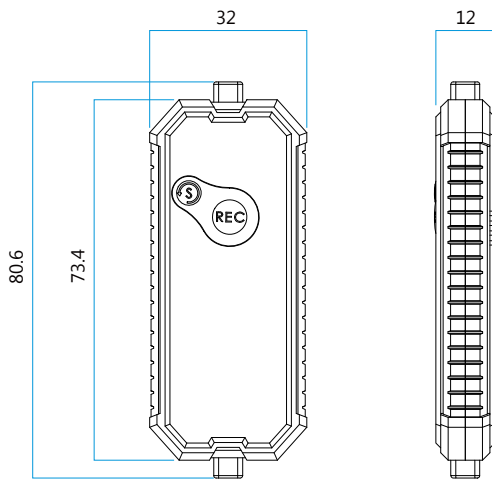


HDR camera  
model: TD-N55131-62

Normal camera

**Connect to MP-WF580KP(Order information)**





**Feature**

- Support micro SD 128GB
- P2P or IP network connection
- Support H.264 & MJPG video format input
- WIFI Mini DVR
- FTP receiver (file)
- Live streaming preview(http)
- Loop receiver
- Support UVC camera video input
- Support RTC

unit: ±0.2mm

Portable Size  
&  
Super Slim



External Memory - Max Support 128GB



APP  
Preview



FTP



Http  
Preview



Wi-Fi



IP/ P2P



UVC  
Camera



Loop  
Record



H.264  
MJPG  
video  
Format



128GB  
Micro SD



RTC  
Function

