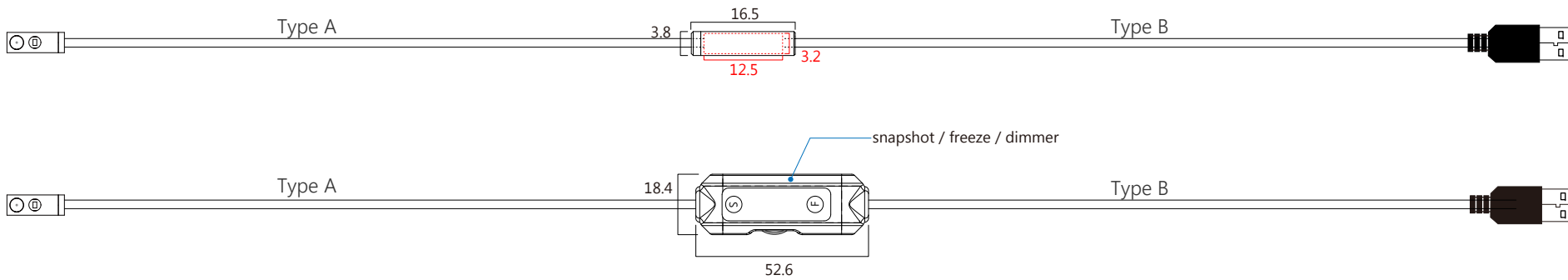
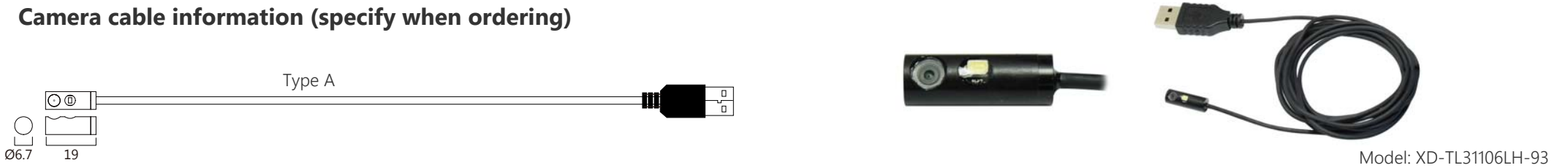


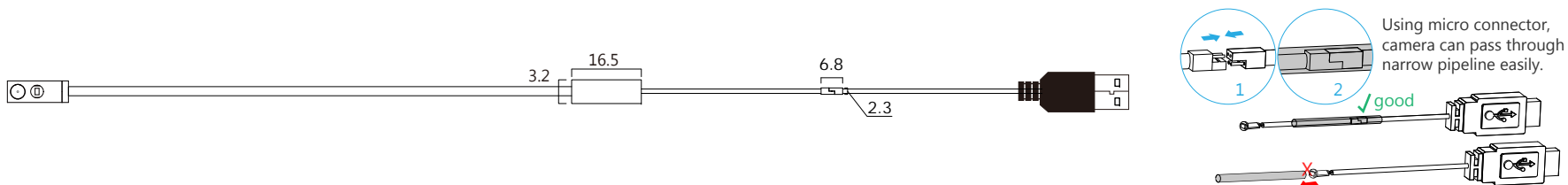
**Camera cable information (specify when ordering)**



Type A	Cable length	Cable OD
1	100~550 (cm)	1.9 ±0.1(mm)
2	100~600 (cm)	2.8 ±0.1(mm)

Type B	Cable length	Cable OD
1	10~200 (cm)	1.7 +0.1(mm)
2	10~400 (cm)	2.8 +0.1(mm)
3	10~1000 (cm)	3.5 +0.1(mm)
4	10~1500 (cm)	5.0 +0.1(mm)

**Specifically designed/Customized for narrow pipeline, or other narrow spaces.**



Using micro connector, camera can pass through narrow pipeline easily.

UNIT:±0.2mm

## Specification

Model	FXD-TL31106LH	FXD-T31106LU	FXD-TL31106LH	FXD-T31106LU
Camera type	left-side view	up view	left-side view	up view
Snapshot & Freeze Function	support		N/A	
LED dimmer	support (specify when ordering)		N/A	
Camera parameter setting on smartphone	support		support	
Compatibility with wifi DVR MP-WF580K	support		support	
Max. frame rate	1920x1080 @ 15~30fps MJPEG/ 5fps YUV 1280x720@ 15~30fps MJPEG/ 10fps YUV 960x540; 848x480@15~30fps MJPEG/ 20fps YUV 640x480; 640x360; 424x240;320x240; 320x180; 176x144; 160x120@15~30fps MJPEG; 30fps YUV			
Pixel size	1.4 μm x 1.4 μm			
Image sensor	1/6" Digital CMOS Camera Module			
Image area	2.7288x1.5498mm			
Scan mode	progressive			
Sensitivity	553 mV/(Lux-sec)			
Dynamic range	73.3 dB @ 15.5x gain			
UVC format	MJPEG , YUV			
Storage temperature	-30 to 60 Degree C			
Working temperature	-10 to 45 Degree C			
Interface	USB 2.0 (Compliant with USB Video Class 1.1 standard)			
Lens (specify which lens)	1.83mm/2.0 /F5.0 /8.0 (77° lens-high depth of field lens-order in advance) 1.55mm/F5.7(88° lens) 1.5mm/F5.7(93° lens) 1.523mm/F4.8/6.0/8.0(158° lens)			
View angle (order in advance)	H= 69°; V= 43°; D= 77° (77° lens) H=48.4°; V=78.3°; D=86.8° (88° lens) H=81°90';V=50°18';D=92°82' (93° lens) H=132°; V=65° ; D=158° (158° lens)			
LED	White 3020 LED x 1			
Power source	DC 5V (USB)			
Power current	190mA			
Operating system	Windows XP, windows Vista, window 7, windows 8, windows 10, Linux, MAC OSX			
Dimension(mm)	6.7x19			

# **XD-TL31106LH-77A**

- ① ② ③ ④ ⑤ ⑥

① CONNECTOR		② TYPE		③ CAMERA TYPE		④ LED		⑤ LENS	
<b>XD</b>	USB 2.0 A type	<b>TL</b>	Tube type (left side view)	<b>31106</b>	color	<b>LH</b>	white LED x 6	<b>77</b>	1.83mm/F5.0/8.0 (77°) camera with LED
<b>XM</b>	Micro USB OTG B type	<b>T</b>	Tube type			<b>ULH</b>	white LED x 1 (up view )	<b>88</b>	1.55mm/F5.7(88° )
<b>XT</b>	USB type C	<b>VTL</b>	Tube type (left side view+dimmer)					<b>93</b>	1.5mm/F5.7(93° )
<b>FXD</b>	USB 2.0 A type	<b>VT</b>	Tube type (dimmer)					<b>158</b>	1.523mm/F4.8/6.0/8.0(158° lens)
<b>FXM</b>	Micro USB OTG B type								
<b>FXT</b>	USB type C								
<b>FXD ; FXM ; FXT ; FXI series</b> with snapshot & Freeze function		<b>XD ; XM ; XT ; XI series</b> without dimmer function <b>T31106LHU, VT31106LHU</b> is up view camera				<b>T31106ULH</b> is up view camera			

⑥ Cable length																
<b>X</b>	<p>cable OD: <b>1.9+-0.1mm</b></p> <p>*100cm(standard) 100~550 cm (specify when ordering)</p>															
<b>A</b>	<p>cable OD: <b>2.8+-0.1mm</b></p> <p>*100cm(standard) 100~600 cm (specify when ordering)</p> <table border="1"> <thead> <tr> <th>Item</th> <th>Cable length</th> <th>Cable OD</th> </tr> </thead> <tbody> <tr> <td>1</td> <td>10~200 (cm)</td> <td>1.7 +0.1(mm)</td> </tr> <tr> <td>2</td> <td>10~400 (cm)</td> <td>2.8 +0.1(mm)</td> </tr> <tr> <td>3</td> <td>10~1000 (cm)</td> <td>3.5 +0.1(mm)</td> </tr> <tr> <td>4</td> <td>10~1500 (cm)</td> <td>5.0 +0.1(mm)</td> </tr> </tbody> </table>	Item	Cable length	Cable OD	1	10~200 (cm)	1.7 +0.1(mm)	2	10~400 (cm)	2.8 +0.1(mm)	3	10~1000 (cm)	3.5 +0.1(mm)	4	10~1500 (cm)	5.0 +0.1(mm)
Item	Cable length	Cable OD														
1	10~200 (cm)	1.7 +0.1(mm)														
2	10~400 (cm)	2.8 +0.1(mm)														
3	10~1000 (cm)	3.5 +0.1(mm)														
4	10~1500 (cm)	5.0 +0.1(mm)														