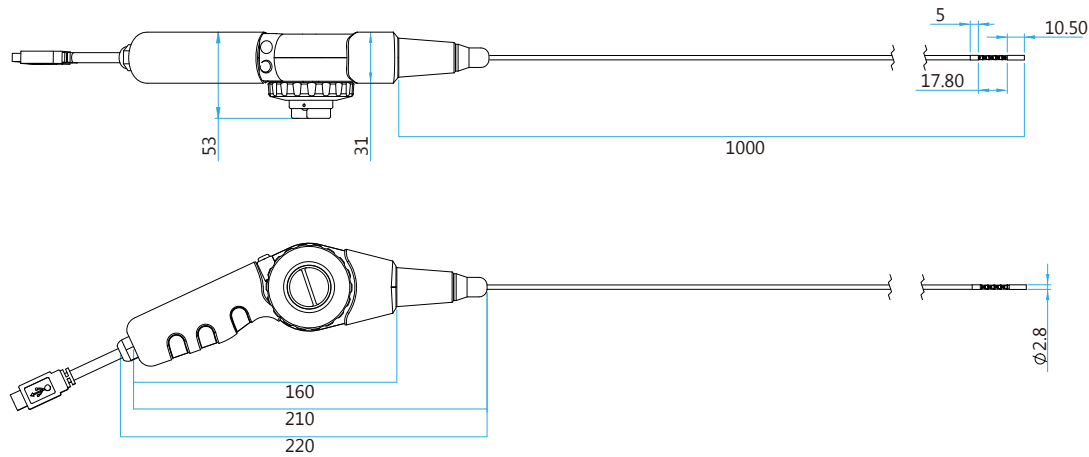
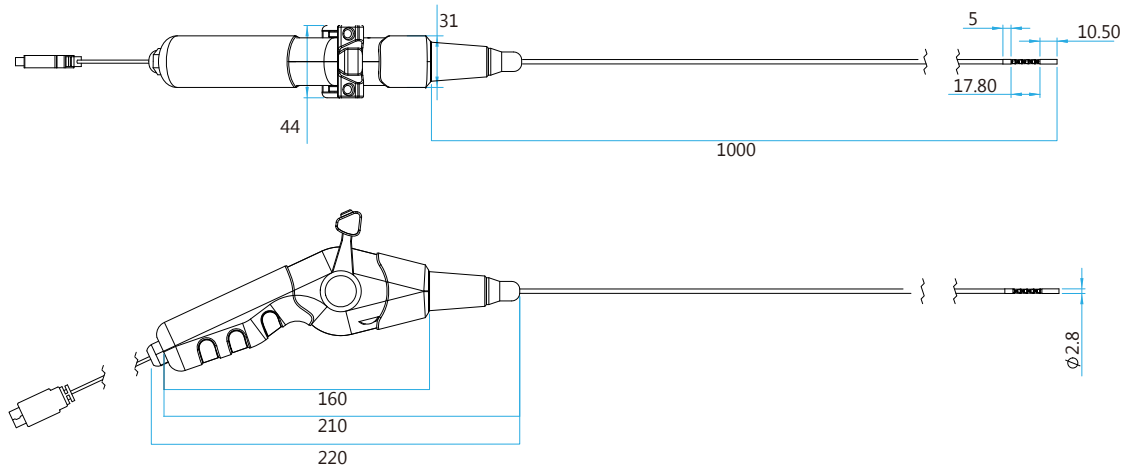


**Feature ■**

- 1080p High resolution borescope inspection
- (D)2.8 x (L)10.5 mm short camera head!
- Steel rigid camera length!
- UVC signal output
- LED brightness control
- Camera setting can be adjusted by software!



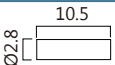
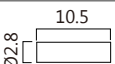
10-VD208-100-2W-120



10-VD218-311-2W-120

## Specification

Outer Diameter (mm)	2.8	
Resolution	400 x 400 @ 30fps	
Camera head material	stainless steel	
Probe length	1M	
Probe length material	outer braid and stainless steel	
Articulations	2 way articulations	
Bending section length(mm)	17.8 mm	
Radius of gyration (at angle 90°)	24 mm	
UVC format	MJPEG / YUV	
Image area	741 μm x 707 μm	
Sensitivity	1000 mV/Lux-sec	
Dynamic range	67.1 dB @ 8x gain	
Lens (specify when ordering)	91° lens	0.5mm/F3.6 (D=91°)
	120° lens	0.418mm/F5.0 (D=120°)
LED dimmer	support	
Snapshot & Freeze Function	support	
Camera setting on smartphone	support	
Compatibility with wifi DVR	support	
Power source	DC 5V (USB) / 190mA	
Storage temperature	-30 to 60 Degree C	
Working temperature	-10 to 45 Degree C	
Operating system	Windows XP, windows Vista, window 7, windows 8, windows 10, Linux, MAC OSX	

Drawing	Model	Sensor type	Lens	LED	DOF
	10-VD2x8-100-2W-120	1/6" CMOS COLOR	120° lens	white LED x 4 (high intensity LED)	20-05-50mm
	10-VD2x8-100-2W-91	1/6" CMOS COLOR	91° lens	white LED x 4 (high intensity LED)	30-20-40mm

## Ø2.8mm Ultra Tiny Camera Head!

The camera diameter is 2.8mm and the length is 10.8mm.  
A tiny tube head can help you to inspect hard reachable places or angles.



## 2-way articulation videoscope camera

MISUMI has two types of 2-way borescopes.  
2-way articulation probe bend angle up to 140 degrees.  
This flexible design, make it easy to inspect hard to reach areas.

Use the control wheel for changing the bending angle.



Model: 10-VD508-100-2W-120

Use the lever of the control bar for changing the bending angle.



Model: 10-VD518-100-2W-120

## Tighten / Loosen to Control Camera Head!

Turn the adjustable wheel to flexibly control camera articulation angle. Articulation angle can be tighten / loosen at any degree.



## High brightness LED & Dimmer

With 4 high-brightness LEDs, the camera can capture clear images in a completely dark environment.

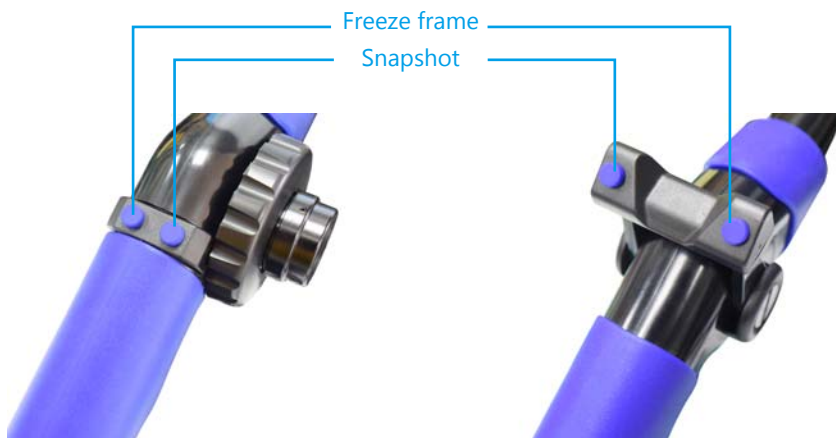
Camera is equipped with dimmer function to control LED brightness for micro focal distance or long focal distance, to prevent exposure in micro focal distance.



## Freeze frame & Snapshot Function

Freeze frame function is perfect during inspection or surgery to pause image and do analysis.

Snapshot function is perfect for capturing and saving the photo during inspection.



## UVC signal output !

The connector is available at USB A type, Micro USB OTG B type, USB type C or customized for specify when ordering.



## Camera parameter adjustable

Camera parameter (Brightness, Contrast, HUE, white balance, sharpen, Gain) can be adjusted on the smartphone via the Misumi app and PC viewer software AMCAP.