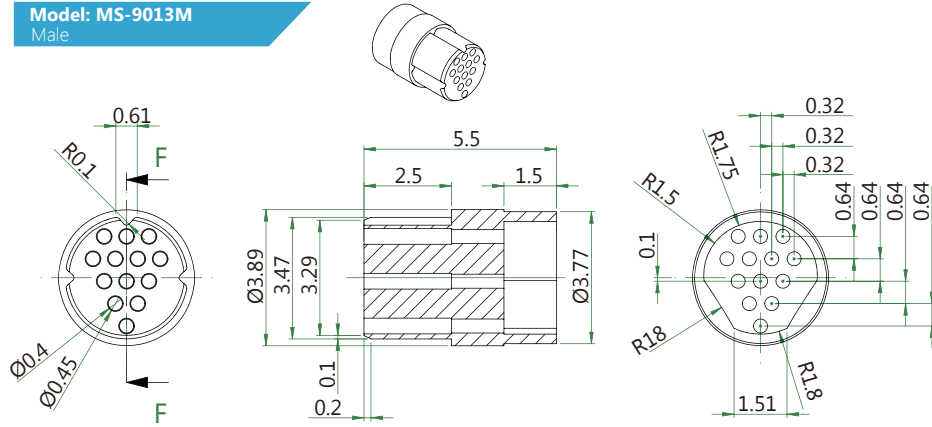
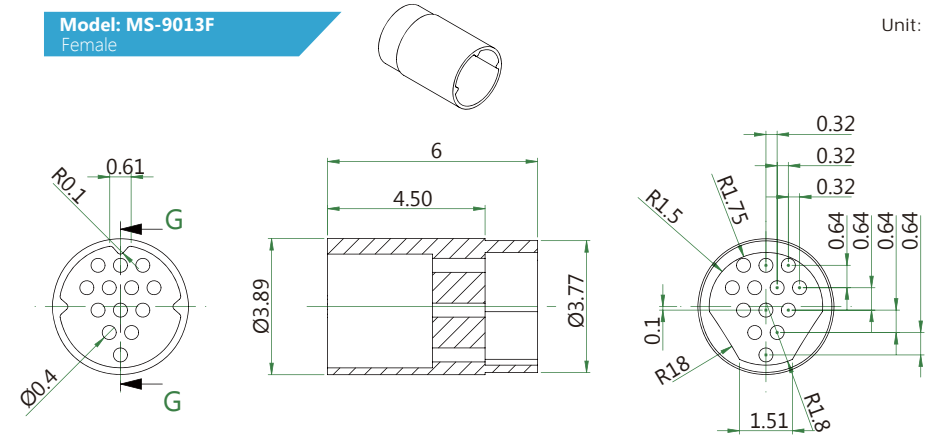


Model: MS-9013M  
Male



Section view F-F

Model: MS-9013F  
Female

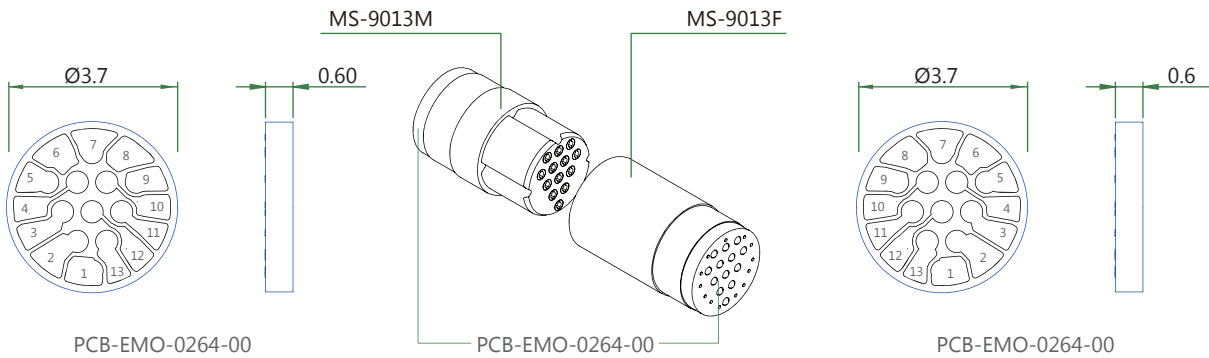


Section view G-G

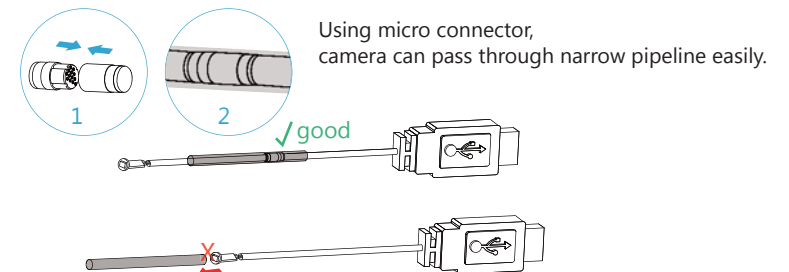
Unit: mm

### Specification

Model	MS-9013M	MS-9013F	MS-9013FM	MS-9013M-WIRE	MS-9013F-WIRE	MS-9013FM-WIRE
Dimension(mm)	Ø3.89 x 9	Ø3.89 x 9.5	Ø3.89 x 9.5	Ø3.89 x 9	Ø3.89 x 9.5	Ø3.89 x 9.5
Type	male	female	male & female	male	female	male & female
Wire	N/A	N/A	N/A	with 15cm wires	with 15cm wires	with 15cm wires
Insulator	Thermoplastic per ROHS 2011/65/EU Annex II, (EU) 2015/863					
Contact material	Pins - beryllium copper per astm b194, alloy c17200 socket-copper alloy permil-dtl-32139					
Contact Finish	Gold Plate Per Astm B488, Type I (99.7% Gold minimum) Hard Gold					



Unit: mm



Using micro connector,  
camera can pass through narrow pipeline easily.