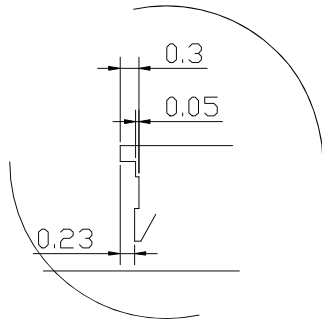
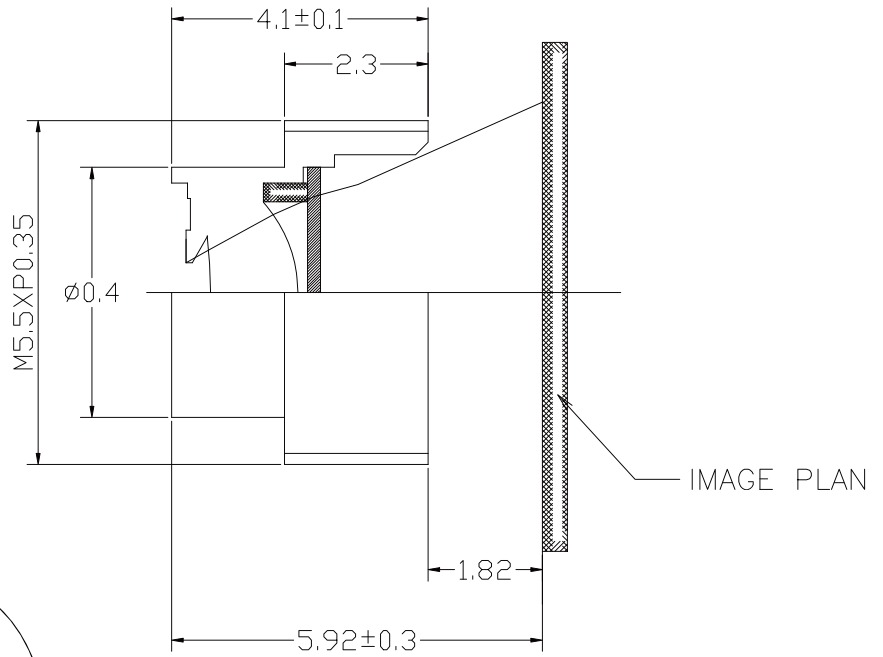
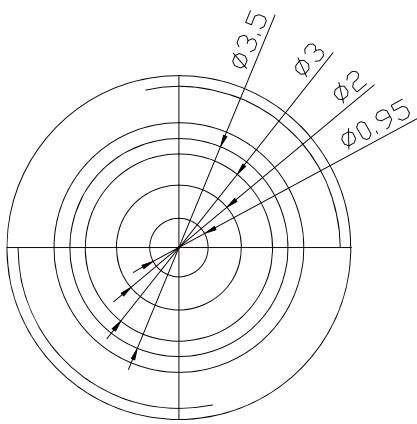


LP35135IR-M5.5



Unit: mm

### Specification

Model	LP35135IR-M5.5
EFL	3.51±0.1mm
FBFL	1.82mm
F/NO	3.5±5%
Sensor type	1/3" (5.0um × 7.4um)
Lens composition	1G
Image circle	Ø6.2 mm
Total Track	5.92±0.3
TV distortion	≤14%
Relative Illumination	43%
FOV	D: 101.5±1°
Chief ray angle	28°
Barrel Dimension	M5.5 x P0.35