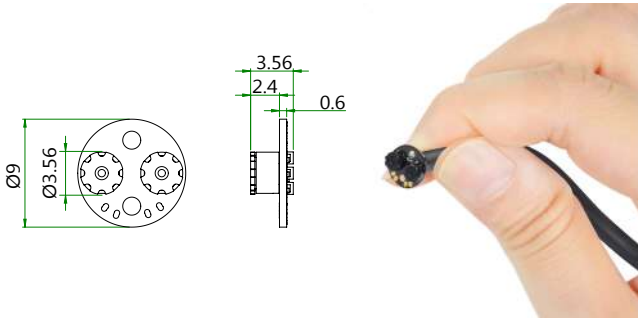
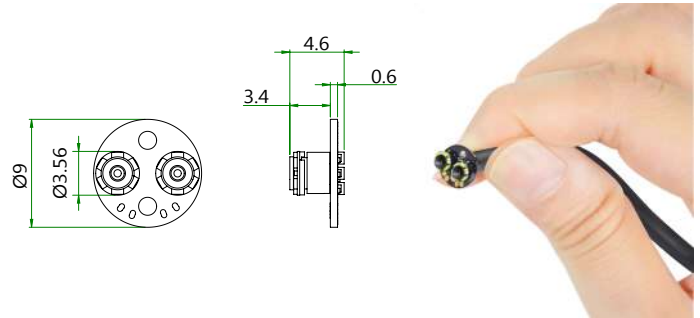


XD-DB20909R-76



XD-DB20909LR-76



**Specification**

Model	XD-DB20909R-76	XD-DB20909LR-76
LED	N/A	LED x 6 (white/IR 940nm/IR 850nm -specify when ordering)
Power current	180mA	200mA
Power source	DC 5V (USB)	
Dimension(mm)	Ø9.0	
Camera type	front view	
Max. frame rate	1280x720, 960x540, 848x480 640x480, 640x360 424x240, 320x240, 320x180, 160x120 @30fps	
Pixel size	1.4 µm x 1.4 µm	
Image sensor	1/9" Digital CMOS Camera Module	
Image area	1.819 x1.033 mm	
Scan mode	progressive	
Sensitivity	585 mV/(Lux-sec)	
Dynamic range	68.4dB @16x gain	
UVC format	MJPEG / YUV	
Storage temperature	-30 to 60 Degree C	
Working temperature	-10 to 45 Degree C	
Interface	USB 2.0 (Compliant with USB Video Class 1.1 standard)	
Lens (specify which lens)	1.32mm/F2.0 ; 1.32mm/F3.5 (76° lens-high depth of field lens-specify when ordering) F4.0 (140° lens) 1.00mm/F4.8 (128° lens)	
View angle (order in advance)	H= 69°; V= 42° ; D= 76° (76° lens) D=140° (140° lens) H= 118°; V= 76°; D= 128° (128° lens)	
Operating system	windows 10, Linux, MAC OSX	

**XD-DB20909RL-76**



1 CONNECTOR		2 TYPE		3 CAMERA TYPE		4 LED		5 LENS	
<b>XD</b>	USB 2.0 A type	<b>DB</b>	Board type (module)	<b>20909R</b>	color(Module)	<b>L</b>	white LED	<b>76</b>	1.32mm/F2.0 (76°)
						<b>L9</b>	IR940nm LED	<b>76</b>	1.32mm/F3.5 (76°)
						<b>L8</b>	IR850nm LED	<b>140</b>	F4.0 (140°)
								<b>128</b>	1.0mm/F4.8 (128°)
							with IR LED suggest to choose B/W type		1.32mm/F3.5 (76°) camera with LED light