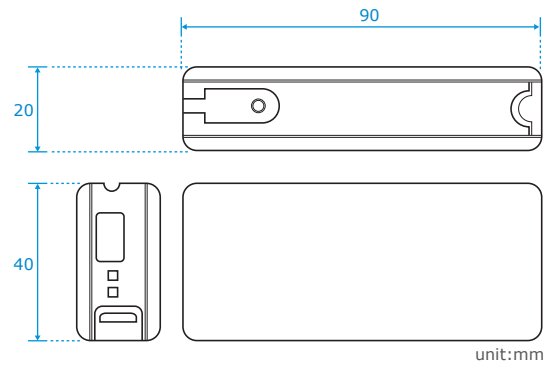


Simple Style PVR Mamual



► Specification

Model	MP-550
AV recorder resolution	640x480(VGA) / max 30 fps.
External Memory	SD Card memory slot (support up to 32 GB) ●
Compression	MPEG 4 ASF file
Video	Synchronized audio & video recording/ playback
Video Output	TV out /AV in (NTSC/PAL)
Function	AV In Mode , Rec Mode , SD card Update , Snapshot , motion detect , loop overwrite , RTC date and time stamping
Power charge	DC 5V(450mA)
PC Interface	USB1.1
Dimension	40 x 90 mm



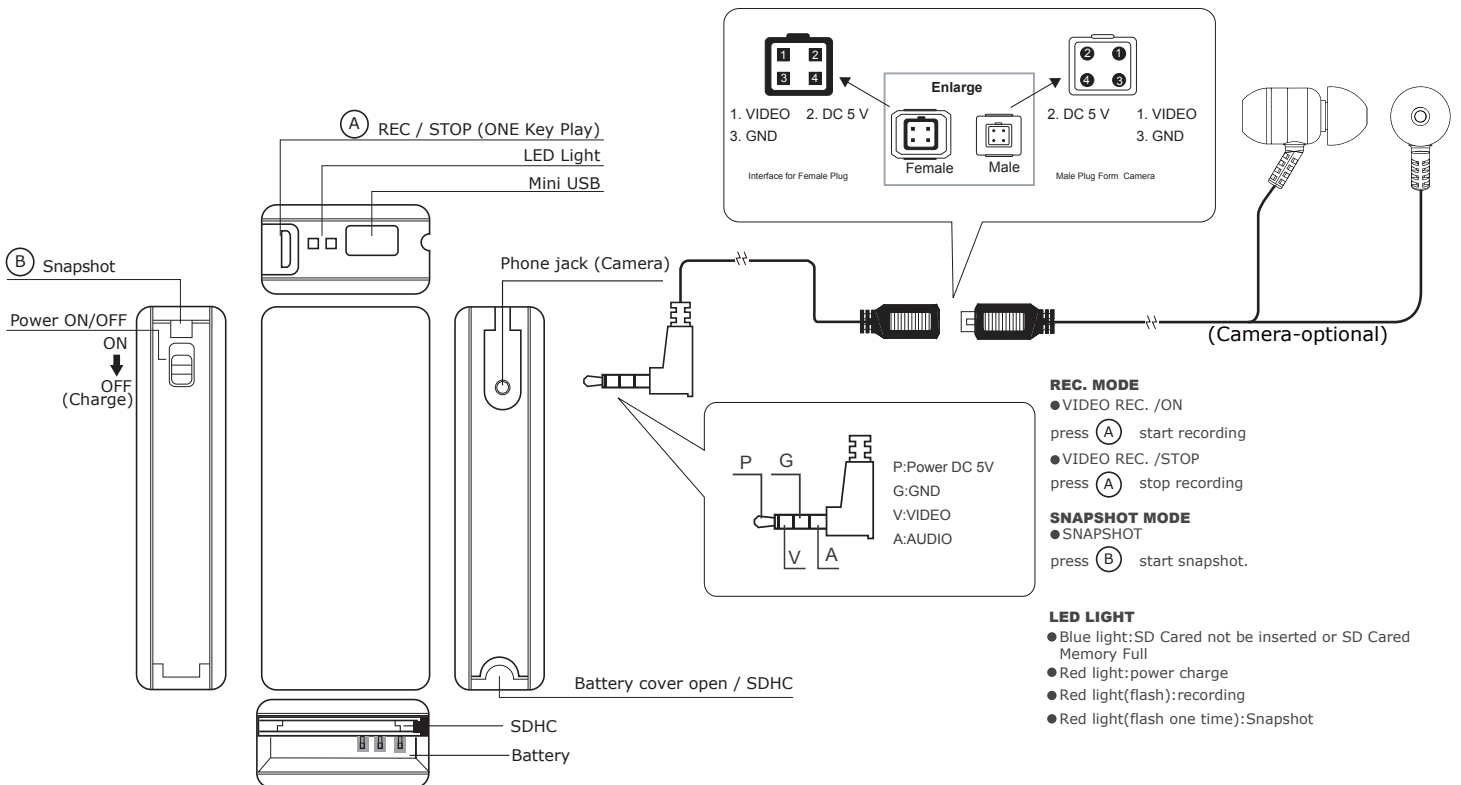
● Format SDHC

Improve the SD SDHC Card 4GB ~32GB compatibility MP-550 support for SDHC, SDHC card(OVER 4GB~32GB) must be special format processing ! through the pc to format SDHC Card Fat32 block size 16k process:

WINDOWS SYSTEM

1. Click [Start],
 2. then click the [running] 'button',
 3. [Open] box, type: "diskmgmt.msc", and then click [OK],
- then Right-click on SDHC CARD DISK and format block size 16 or 32K

► Instruction Drawing & Description

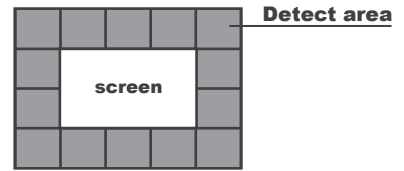


▶ Setting

1. SD connected computer and add folder "MISC"
2. After open "MISC" folder and then add TXT file "SYSCFG.TXT" and type:
(Changing the TXT file to start what you need system)

```
[COMMON]
DATE=2010-04-26 .....Date=year-month-date
TIME=09:25 .....time=Minutes:seconds
// NTSC/60, PAL/50
SENSORTYPE=NTSC .....NTSC or PAL
TVTYPE=NTSC .....NTSC or PAL
TVFREQHz=60 .....NTSC=60 or PAL=50
RESET=0
[DVINFO]/60, 50
SENSORFREQHz=60 .....NTSC=60 or PAL=50
// NORMAL, CYCLE, MOTION, MOTION_CYCLE
DVRECTYPE=NORMAL .....NORMAL, CYCLE, MOTION, MOTION_CYCLE
DVRECTIMEBAR=YES .....YES or NO
[DSCINFO]
#END
```

Motion Detect Area



Motion Detect Area must be detected by around of screen

Motion detect and Loop Overwrite operation normally have to 4 GB SD card or more than 4GB SD card.

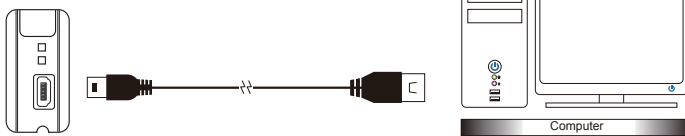
- **NORMAL MODE:** Recording ,the SHDC card will save video file in every **30 minutes** until card memory full
- **CYCLE MODE:** Recording ,the SHDC card will save video file in every **30 minutes** .If the memory card full, the video file will be overwrite in automatically
- **MOTION MODE:** When motion trigger started the SHDC card will save video file in every **30 sec.** until card memory full
- **MOTION_CYCLE MODE:** When motion trigger started the SHDC card will save video file in every **30 sec.**.If the memory card full, the video file will be overwrite in automatically

Boot after waiting for about 10 ~ 15 sec and off power, The system will read and delete the configuration file (do not perform other operations, will lead to a configuration parameter can not be saved)

▶ Connect

1. USB cable support PC transmission function and support power charge(Charge Battery must be turned off MP-550)
2. After power on ,USB cable connected MP-550 ,that will into USB Mass Storage Device
3. After power on , AV cable connect MP-550 that will preview mode.(it's better copy or cut video file into the computer hardware then play. Video file be played directly will cause unsmooth play, the reason is that gigantic data can't be transmitted synchronously)
4. After power on ,AV cable connected MP-550 ,that will playback mode.

Connect with computer



Connect with TV

