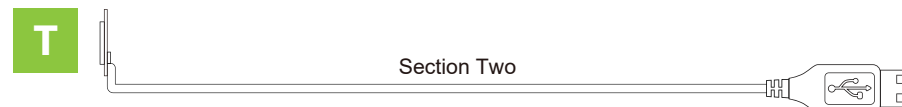
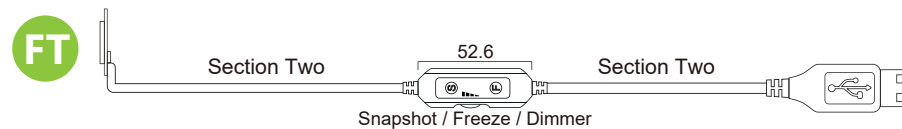
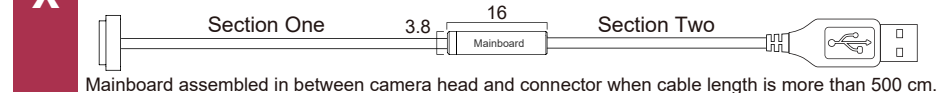
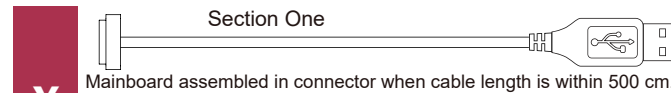
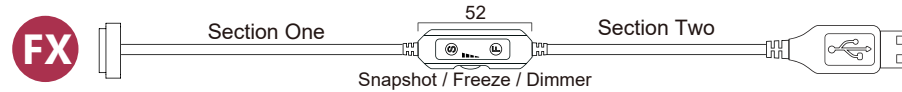
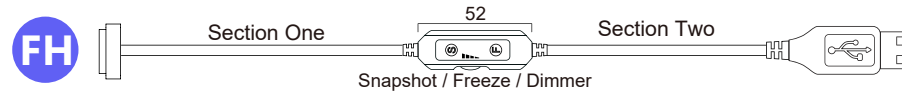


**Series Information**

Series	FH	H	FX	X	FT	T
Snapshot and Freeze Frame	N/A	N/A	Support	N/A	Support	N/A
Video Format	MJPEG / YUV / H.264			MJPEG / YUV		
Feature	Low Temperature				Advance	
Camera Shape	Square Shape				Round Shape	Rectangle Shape
Orientation	Front View				Up View	

Interface	USB 2.0
Frame Rate	15~30 fps
Image Sensor	2/3" Digital CMOS Camera Module
Pixel Size (μm)	4.75 x 4.75
Frame Rate (Max.)	1920 x 1080 @ MJPEG 30 fps; YUV 5 fps 1280 x 720 @ MJPEG 30 fps; YUV 10f ps 640 x 480 @ MJPEG; YUV 30 fps 320 x 240 160 x 120
Image Area (mm)	9.12 x 5.13
Scan Mode	Progressive
Sensitivity	9900 mV / (Lux-sec)
Dynamic Range	74.8 dB
Storage Temperature	-30 to 60 Degree C
Working Temperature	-10 to 45 Degree C
Lens (Specify Which Lens)	83 8.0 mm / F 2.5 (H= 67°; V= 52° ; D= 83°) 140 5.2 mm / F 2.2 (H= 112°; V= 57° ; D= 140°)
Power Source	DC 5V (USB)
Power Current	180 mA
Operating System	Windows XP, Windows Vista, Window 7 Windows 8, Windows 10, Linux, Mac OSX




**Section One**

OD (mm)	Length (cm)	Series
1.9 AWG#36 EN-15C	10~200	FH H FX X
2.8 AWG#32 EN-15C		
3.8 AWG#30 EN-17C		

**Section Two**

OD (mm)	Length (cm)	Series
0.35 Enameled Wires	10~150	FH H FX X FT T
0.9 AWG#42 EN-9C	10~200	
1.4 AWG#28 EN-4C	10~1000	
1.4 AWG#30 EN-4C	10~600	
1.6 AWG#28 EN-4C	10~1000	
1.7 AWG#36 EN-9C	10~200	
2.8 AWG#30 EN-7C	10~400	
3.6 AWG#28 EN-7C	10~1000	
4.5 AWG#26 EN-5C	10~1500	

# HD-B10415L-83

SERIES	CONNECTOR	CAMERA BODY	DISPLAY	MINCHPONE	LED	LENS
<b>FH</b> Low temperature (H.264) <b>H</b> Low temperature (H.264) <b>FX</b> Low temperature <b>X</b> Low temperature <b>FT</b> Advance <b>T</b> Advance  <b>*F</b> Snapshot and Freeze Frame	<b>UVC Signal</b> <b>D</b> USB 2.0 Type A <b>M</b> USB 2.0 Micro Type B (OTG) <b>T</b> USB 2.0 Type C <b>I</b> USB 2.0 Mini Type B	<b>Front View / Up View</b> <b>B</b> Board Type <b>VB</b> Board Type + Dimmer <b>S</b> Forming Type <b>VS</b> Forming Type + Dimmer <b>N</b> Plastic Case <b>VN</b> Plastic Case + Dimmer <b>T</b> Tube Type <b>V</b> Tube Type + Dimmer	<b>Board / Forming Type</b> <b>10415</b> Color <b>104M15</b> B/W <b>Board Type / Plastic Case</b> <b>10415U</b> Color <b>104M15U</b> B/W <b>Board Type</b> <b>10417RU</b> Color <b>104M17RU</b> B/W <b>Tube Type</b> <b>10418</b> Color <b>104M18</b> B/W <b>10422</b> Color <b>104M22</b> B/W  <b>* R</b> Round Shape <b>* U</b> Up View	<b>N/A</b> None <b>A</b> Built-In External	<b>L</b> White LED <b>L8</b> IR 850 nm LED <b>L9</b> IR 940 nm LED <b>N/A</b> None	<b>66V</b> 8.0 mm / F 2.5 (66°) <b>83</b> 8.0 mm / F 2.5 (83°) <b>140</b> 5.2 mm / F 2.2 (140°) <b>* V</b> Super Cone Type
<b>Connector Information</b> 						
<p>* IR 940 nm or IR 850 nm LED is suggested to choose B/W camera type.            * Camera with LED light source is suggested to use lens with larger F-Stop number.</p>						

## Lens Cover Accessories (Pinhole Lens Only)



▲ LPH-100



## FT / T Series (140 Degree Lens / Up View)



B10415U



N10415U



B10417RU

## Camera Parameter Adjustable (MISUMI APP)

Camera parameter can be adjusted on the smartphone via the Misumi app and PC viewer software AMCAP.



NOTE for MISUMI APP:  
UVC Camera does not support Android 10

## All MISUMI UVC Camera are Compatible With MP-WF580KP (WiFi DVR)

For example:  
Our extremely lightweight 1920 x1080 (1080p) 1/6" CMOS UVC glasses camera is compatible with MP-WF580KP (WiFi DVR).

Supports **H.264 video format** input, loop recording, snapshot functions.  
Supports max memory 128 GB (micro SD).

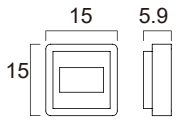
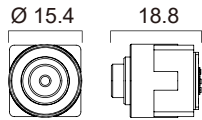
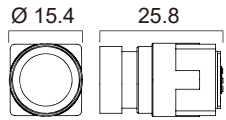
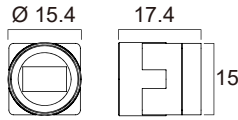
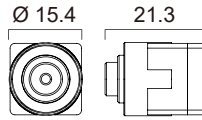

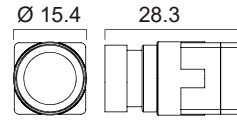

Users can view live streaming video via a smartphone.



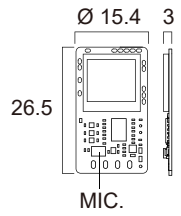

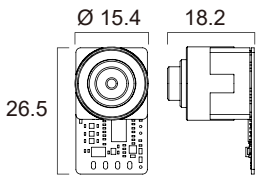

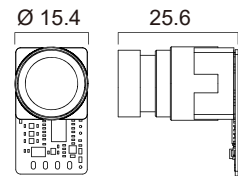

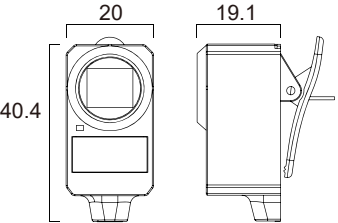
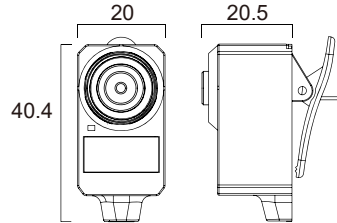

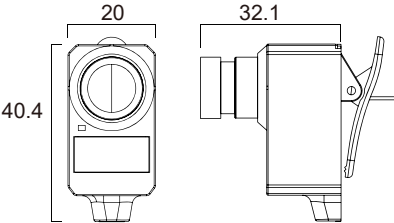

About MP-WF580KP:  
It deliver the best 1080p live streaming performance when using H.264 camera.  
When using MJPEG cameras, it can only live stream at resolutions of 720p and below.  
MJPEG cameras delivers the best live streaming performance at 640 x 480 resolution.

**FH / H / FX / X Series**

Unit: ± 0.2 mm

Lens	N/A	83°	140°
B10415 Front View Board Type	 <p>Coming Later</p>	 <p>Coming Later</p>	 <p>Coming Later</p>
S10415 Front View Forming Type	 <p>Coming Later</p>	 	 

**FT / T Series**

Lens	N/A	83°	140°
B10415UA Up View Board Type	 	 	 
N10415U Up View Plastic Case	 <p>Coming Later</p>	 	 
B10417RUA Up View Board Type	