

FK / K Series

Unit: ± 0.5 mm

		No Lens	65°	65° (with LED)	120°	120° (with LED)
Front View	B164B03 Board type	 Coming Later	 Coming Later	 Coming Later	 Coming Later	 Coming Later
	T164B03 Tube Type	N/A	 Coming Later	 Coming Later	 Coming Later	 Coming Later

FY / Y / FX / X Series

		No Lens	65°	65° (with LED)	120°	120° (with LED)
Front View	B164B03 Board Type	 Coming Later	 Coming Later	 Coming Later	 Coming Later	 Coming Later
	T164B03 Tube type	N/A	 Coming Later	 Coming Later	 Coming Later	 Coming Later
Side View	BL164B03 Board Type (Components on both sides)	 Coming Later	 Coming Later	 Coming Later	 Coming Later	 Coming Later
	BL164B03S Board Type (Components on single side)	 Coming Later	 Coming Later	 Coming Later	 Coming Later	 Coming Later

FT / T Series

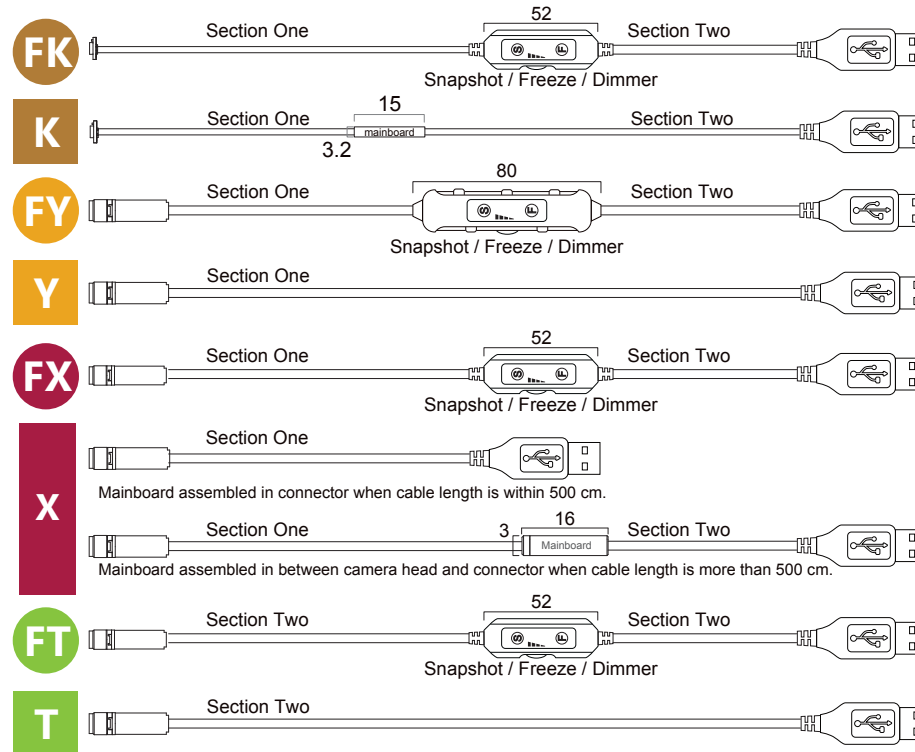
		No Lens	65°	65° (with LED)	120°	120° (with LED)
Front View	B164B03 Board type	 Coming Later	 Coming Later	 Coming Later	 Coming Later	 Coming Later
	T164B03 Tube Type	N/A	 Coming Later	 Coming Later	 Coming Later	 Coming Later

Series Information

Series	FK	K	FY	Y	FX	X	FT	T
Snapshot and Freeze Frame	Support	N/A	Support	N/A	Support	N/A	Support	N/A
Interface	USB 2.0		USB 3.0		USB 2.0			
Frame Rate	15~30 fps		60 fps		15~30 fps			
Feature	Short Camera Head		Low Temperature			Advance		
Camera Shape	Round Shape		T Shape		Rectangle Shape		T Shape	
Orientation	Front View		Front View		Side View		Front View	

Series Compare	Series	164A	164B
	Pixel Size (μm)	1.116 × 1.116	1.12 × 1.12
	Image Area (mm)	1.446 × 0.91	1.43 × 0.81

Resolution	1280 x 720	
Video Format	MJPEG / YUV	
Image Sensor	1/11" Digital CMOS Camera Module	
Pixel Size (μm)	1.12 × 1.12	
Image Area (mm)	1.43 × 0.81	
Scan Mode	Progressive	
Storage Temperature	-30 to 60 Degree C	
Working Temperature	-10 to 45 Degree C	
Lens (Specify Which Lens)	63	1.33 mm / F 2.0 (H= 56°; V= 33°; D= 63°) 1.33 mm / F 4.0
	65	1.32 mm / F 2.0 1.32 mm / F 3.5 (H= 57°; V= 33°; D= 64°) 1.32 mm / F 4.0
	104	0.92 mm / F 4.5 (H= 94.2°; V= 59°; D= 104°)
	120	0.878 mm / F 5.0 (H=95°;V=56°;D=120°)
Power Source	DC 5V (USB)	
Power Current	160 mA 190 mA (With LED)	
Operating System	Windows XP, Windows Vista, Window 7 Windows 8, Windows 10, Linux, Mac OSX	



Section One (Max. 15 Pin)

OD [mm]	Length [cm]	Series
1.5 AWG#38 EN-13C	10~100	FY Y
	10~250	FK K FX X
1.7 AWG#36 EN-13C	10~70	FY Y
	10~200	FK K FX X
1.9 AWG#36 EN-15C	10~150	FY Y
	10~400	FK K FX X
2.8 AWG#32 EN-15C	10~200	FY Y
	10~400	FK K FX X

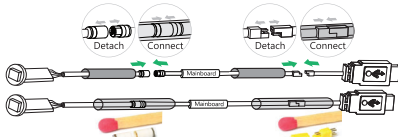
Section Two (Max. 7 Pin)

OD [mm]	Length [cm]	Series
0.35 Enameled Wires	10~150	
0.9 AWG#42 EN-9C	10~200	
1.4 AWG#28 EN-4C	10~1000	
1.4 AWG#30 EN-4C	10~600	FK K FX X FT T
1.6 AWG#28 EN-4C	10~1000	
1.7 AWG#36 EN-9C	10~200	
2.8 AWG#30 EN-7C	10~400	
3.6 AWG#28 EN-7C	10~1000	
3.6 AWG#28 EN-11C	10~250	FY Y
5.0 AWG#24 EN-9C	10~1500	FK K FX X FT T
6.2 AWG#28 EN-11C	10~200	FY Y

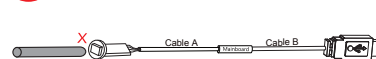
Detachable Nano Connectors (Customize Option)

Specifically designed to overcome the big size of connector and camera head.

✓ **With detachable Nano connectors**
A bigger size tube can go through the thin cable from halfway.

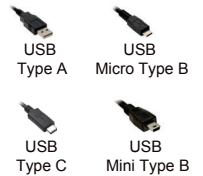


✗ **Without detachable Nano connectors**
Camera head cannot go through the bigger tube.



Nano 13~15 pin (Cable A) Nano 4 pin (Cable B)

FYD-B164B03LH-65

SERIES	CONNECTOR	CAMERA BODY	DISPLAY	LED	LENS																				
<p>USB 3.0</p> <p>FY Low temperature with Y Low temperature</p> <p>USB 2.0</p> <p>Short camera head Short camera head Low temperature Low temperature Advance with Advance</p> <p>* F Snapshot and Freeze Frame</p>	<p>UVC Signal</p> <p>D USB Type A M USB Micro Type B (OTG) T USB Type C I USB Mini Type B</p> <p>Connector Information</p> 	<p>Front View</p> <p>B Board Type VB Board Type + Dimmer T Tube Type V Tube Type + Dimmer</p> <p>Side View</p> <p>BL Board Type VBL Board Type + Dimmer</p>	<p>All Type</p> <p>164B03 Color 164BM3 B/W</p> <p>Board Type</p> <p>164B03S Color 164BM3S B/W</p> <p>* S Side View Signal Board</p>	<p>LH High-Intensity White LED L8 IR 850 nm LED L9 IR 940 nm LED</p>	<table border="1"> <thead> <tr> <th>Code</th> <th>Secification</th> <th>Thread</th> <th>View Angle</th> </tr> </thead> <tbody> <tr> <td>63</td> <td>1.33 mm / F 2.0 1.33 mm / F 4.0</td> <td>M 3.5 x P 0.2</td> <td>63°</td> </tr> <tr> <td>65</td> <td>1.32 mm / F 2.0 1.32 mm / F 3.5 1.32 mm / F 4.0</td> <td>M 2.8 x P 0.2 M 2.8 x P 0.2 Ø 3.08</td> <td>64°</td> </tr> <tr> <td>104</td> <td>0.92 mm / F 4.5</td> <td>M 2.2 x P 0.25</td> <td>104°</td> </tr> <tr> <td>120</td> <td>0.878 mm / F 5.0</td> <td>Ø 2.9</td> <td>120°</td> </tr> </tbody> </table>	Code	Secification	Thread	View Angle	63	1.33 mm / F 2.0 1.33 mm / F 4.0	M 3.5 x P 0.2	63°	65	1.32 mm / F 2.0 1.32 mm / F 3.5 1.32 mm / F 4.0	M 2.8 x P 0.2 M 2.8 x P 0.2 Ø 3.08	64°	104	0.92 mm / F 4.5	M 2.2 x P 0.25	104°	120	0.878 mm / F 5.0	Ø 2.9	120°
Code	Secification	Thread	View Angle																						
63	1.33 mm / F 2.0 1.33 mm / F 4.0	M 3.5 x P 0.2	63°																						
65	1.32 mm / F 2.0 1.32 mm / F 3.5 1.32 mm / F 4.0	M 2.8 x P 0.2 M 2.8 x P 0.2 Ø 3.08	64°																						
104	0.92 mm / F 4.5	M 2.2 x P 0.25	104°																						
120	0.878 mm / F 5.0	Ø 2.9	120°																						

* IR 940nm or IR 850nm LED is suggested to choose B/W camera type.
* Camera with LED light source is suggested to use lens with larger F-Stop number.

FK / K Series (120 Degree Lens)



T164B03LH-120
(Tube type)

FY / Y / FX / X Series (65 Degree Lens)



B164B03LH-64
(Board type)

Camera Parameter Adjustable (MISUMI APP)

Camera parameter can be adjusted on the smartphone via the Misumi app and PC viewer software AMCAP.



NOTE for MISUMI APP:
UVC Camera does not support Android 10

All MISUMI UVC Camera are Compatible With MP-WF580KP (WiFi DVR)

For example:
Our extremely lightweight 1920 x1080 (1080p) 1/6" CMOS UVC glasses camera is compatible with MP-WF580KP (WiFi DVR).

Supports **H.264 video format** input, loop recording, snapshot functions.
Supports max memory 128 GB (micro SD).

Users can view live streaming video via a smartphone.



About MP-WF580KP:
It deliver the best 1080p live streaming performance when using H.264 camera.
When using MJPEG cameras, it can only live stream at resolutions of 720p and below.
MJPEG cameras delivers the best live streaming performance at 640 x 480 resolution.